



RSTPURCHASING Spare Parts for Axles and Semi Trailers



rstpurchasing.com



RSTPURCHASING Spare Parts for Axles and Semi Trailers

Table of Contents

Sec. One: Brake System and Axle-Related Components	5
Sec. Two: Brake Drums, Brake Discs and Wheel Hubs	27
Sec. Three: Suspension Systems	53
Sec. Four: Axle Beam Mounted Components	97
Sec. Five: Semi-Trailer Components	113

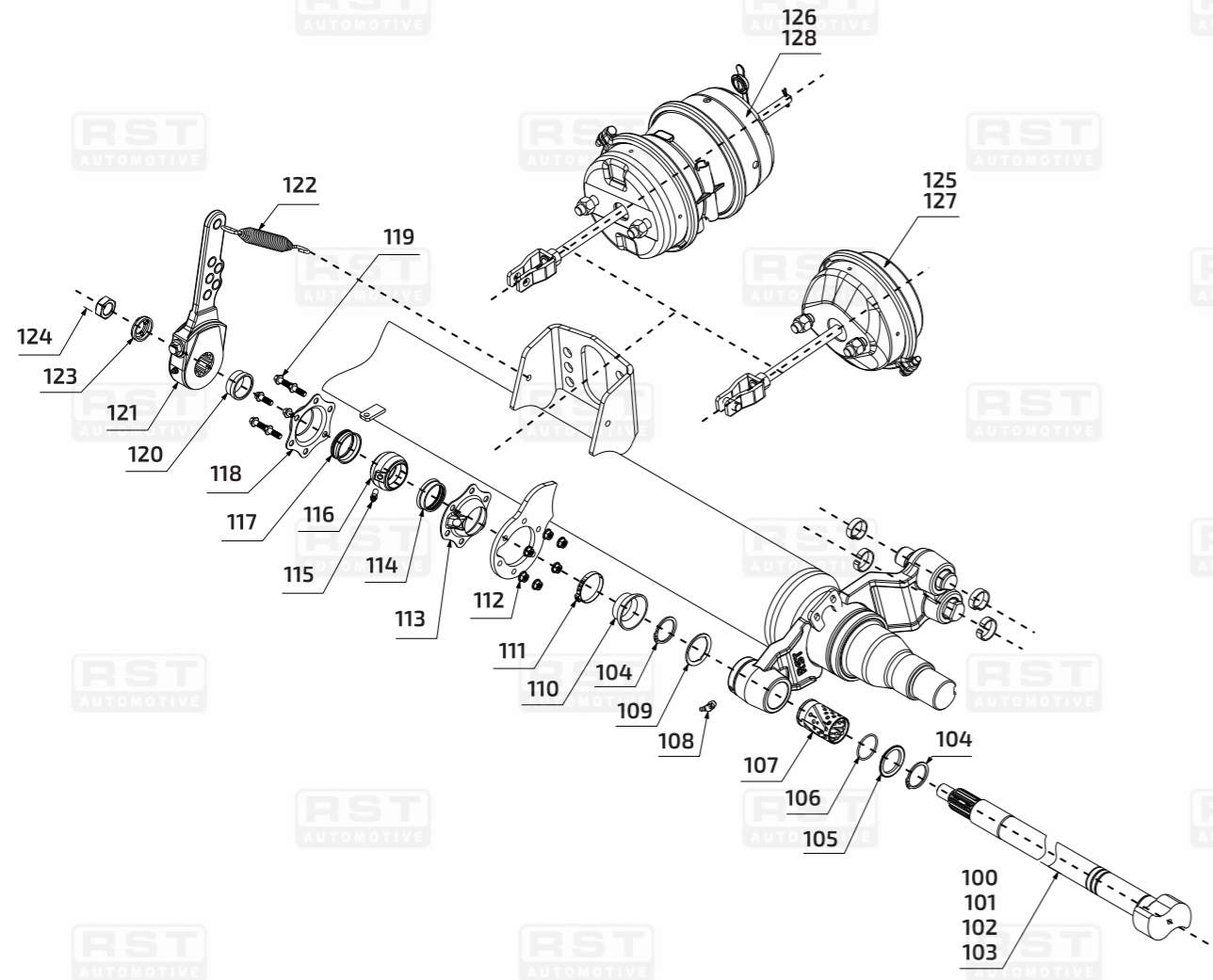


I Axle Brake System

Table of Contents

Brake Camshaft	12
Brake Shoe	13
Brake Camshaft Accessories Set	14
Slack Adjuster	16
Drum Brake Chamber	18
Disc Brake Chamber	20
Dust Cover	22
Brake Caliper	24

► Drum Brake Spare Parts Schematic

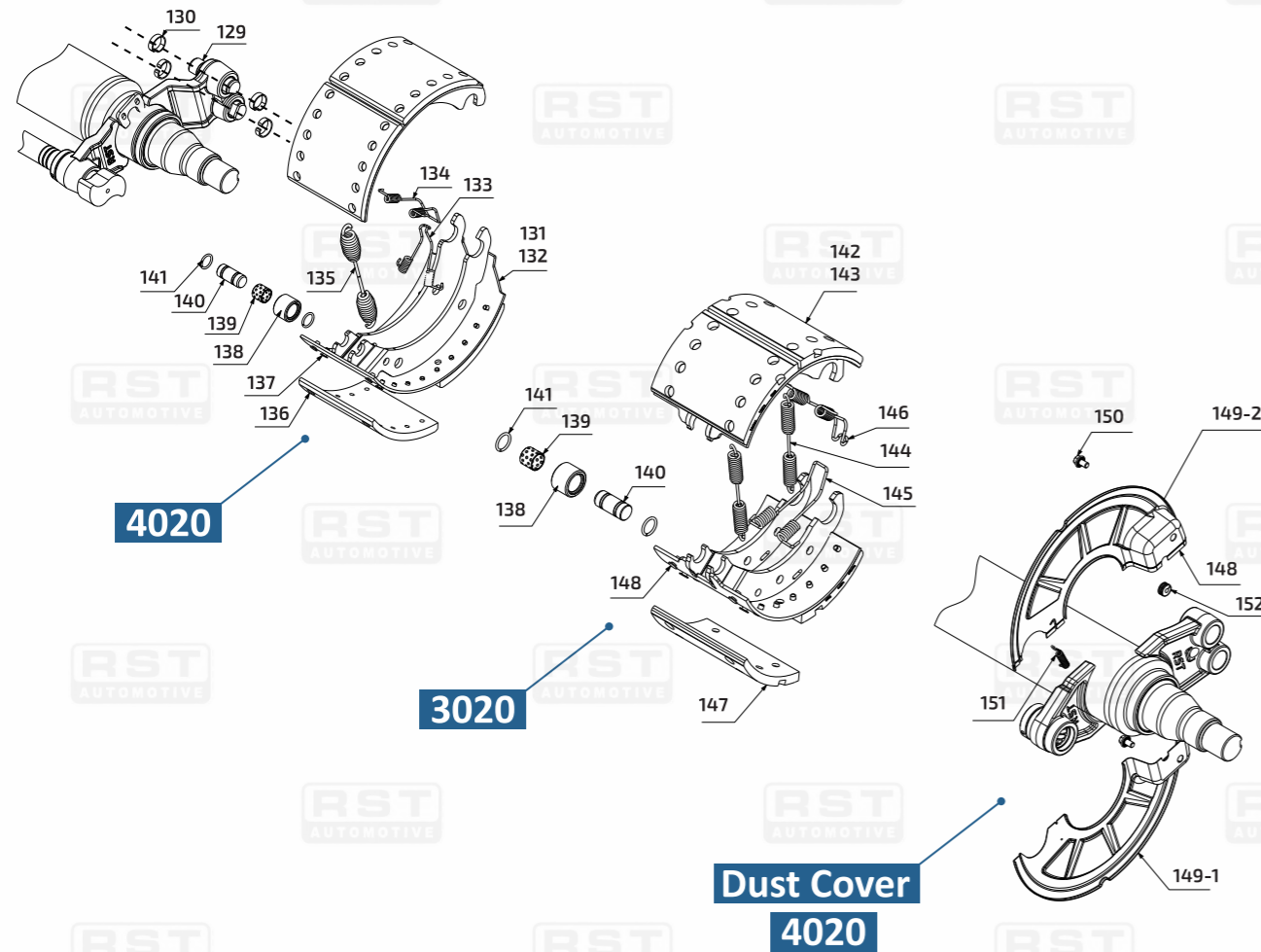


According to Technical Specification Table No.1

► Technical Specification Table No.1

Item	Part Name	Part Code	Dimension
104	Circlip	21990010014	A 42 x 2.5
105	Ring (Thrust ring)	41150010001	Ø 42 / Ø 55 x 7
106	O-Ring	41990010020	-
107	Bush	21990010010	Ø 42 / 46 x 73
108	Grease nipple	21990010012	BM 10 x 1 / 45°
109	Seal	21150010001	Ø 43 / 56 x 2
110	Seal	41990010021	Ø 41 x 25
111	Circlip	21270010001	Ø 49 x 7
112	Hexagon Nut	21140010001	M8
113	"Bearing box (for grease nipple)"	41990010017	-
114	Seal	41990010016	Ø 43 x 14
115	Grease nipple	21990010013	M 8 x 1 / 8.5 lg
116	Spherical bearing	41990010001	Ø 42 / 62 x 38
117	Seal	41990010018	Ø 45 x 17
118	Bearing box	41990010019	-
119	Locking bolt	21130110001	M 8 x 25
120	Bush	21990010028	Ø 37.4 / 45 x 18
121	Slack adjusters	21990010029	-
122	Return spring	21990010030	-
123	Washer	41150010002	Ø 22 / 41 x 10
124	Hexagon nut	21140010002	M 22 x 1.5 / SW 32
125	Brake cylinder	21100010004	30"
126	Brake cylinder	21100010005	30 / 30"
127	Brake cylinder	21100010044	24"
128	Brake cylinder	21100010045	24 / 30"

► Drum Brake Spare Parts Schematic

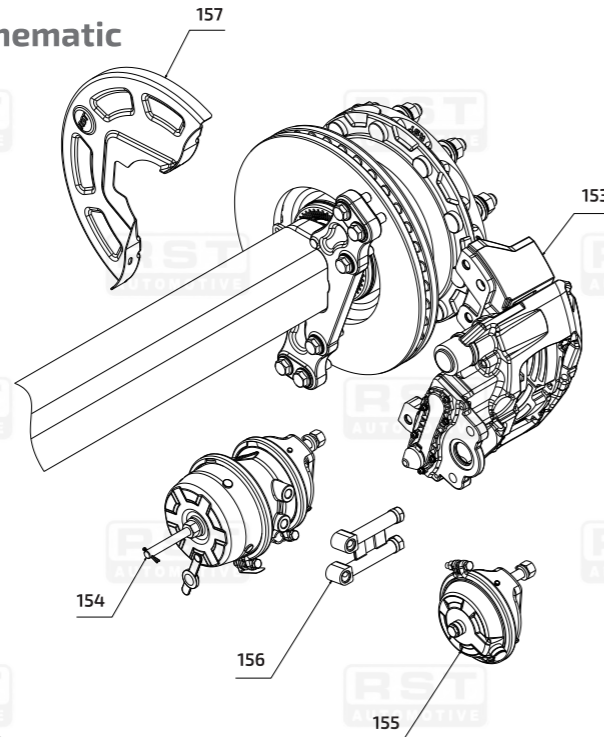


According to Technical Specification Table No.2

► Technical Specification Table No.2

Item	Part Name	Part Code	Dimension
129	Brake bolt	41990010015	Ø36x110
130	'C' Clip	21990010011	-
131	Brake shoe assembly, with lining	41990020018	-
132	Brake shoe assembly, without lining	41990020008	-
133	Return spring (Hook)	21990010024	-
134	Return spring (Eye)	21990010025	-
135	Return spring	21990010023	Ø34/5x268
136	Brake lining	21990010017	-
137	Rivet (Steel)	21990010018	B8x15/7338
138	Roller	21990010019	Ø29/45x33
139	Bush	21990010020	Ø26/29x25
140	Bolt	21990010022	Ø26x58.5
141	Ring	21990010021	Ø24/31/3.5
142	Brake shoe assembly, with lining	41990020075	-
143	Brake shoe assembly, without lining	41990020032	-
144	Return spring 3020	21990010097	Ø20/3.6x180
145	Return spring (Eye)/3020	21990010095	-
146	Return spring (Hook)/3020	21990010096	-
147	Brake lining	21990010094	-
148	Rivet (Steel)	21990010018	B8x15/7338
149-1	Dust Cover-lower	41990010023	-
149-2	Dust Cover-upper	41990010022	-
150	Locking Bolt	21130110002	M10x15
151	Return Spring	21990010016	-
152	Plug	21990010015	-

► Disc Brake Spare Parts Schematic



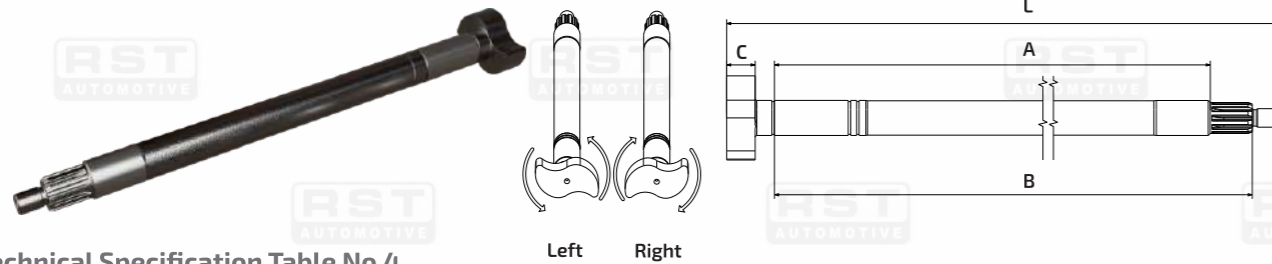
Technical Specification Table No.3

Item	Part name	Product No.	Note
153	Caliper	21990010135 (Left)	-
153	Caliper	21990010136 (Right)	-
154	Brake cylinder 16/24"	21100010002	-
155	Brake cylinder 16"	21100010001	-
156	compressed air connection mounted	21100010003	-
157	Dust Cover	41990010250 (Left) 41990010249 (Right)	-
158	Alignment Bolt	23130110011	-
159	Fixing Bolt	23130110012	-



► Drum Brake System Spare Parts

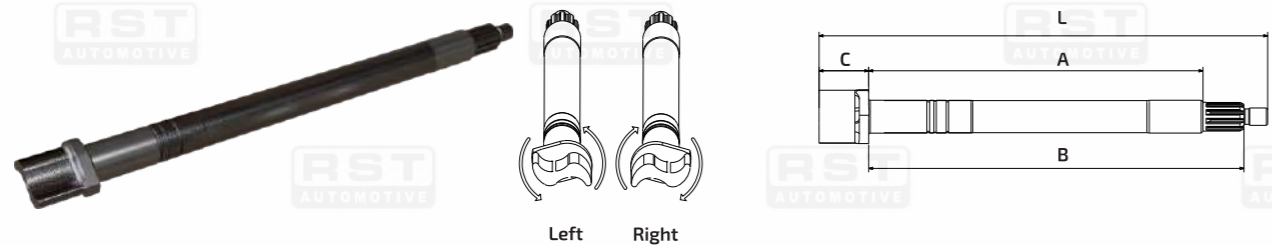
Brake camshafts 4020



Technical Specification Table No.4

Item	S/N	Product No.	A	L	B	C
100	4020	Left:41060310001 - Right:41060410001	564	704	614	34
101	4020(Et120)	Left:41060110001 - Right:41060210001	600	739	649	34
102	4020(Et120)	Left:41061610001 - Right:41061510001	624	764	674	34

Brake camshafts 3020



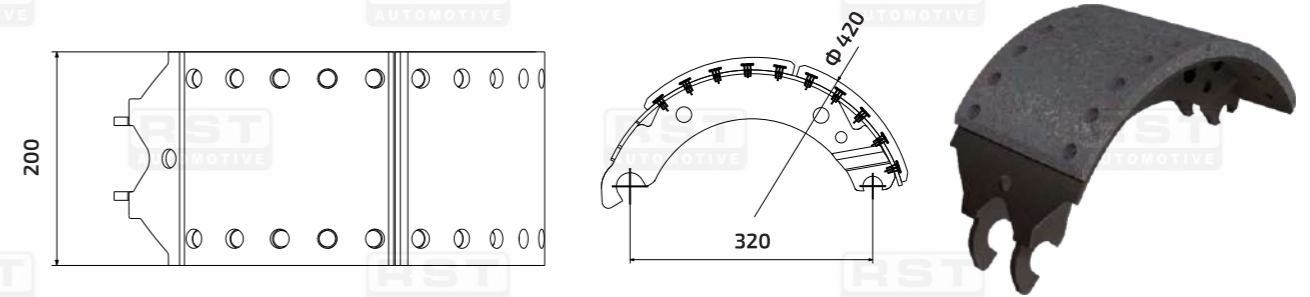
Technical Specification Table No.5

Item	S/N	Product No.	A	L	B	C
103	3020	Left:41060810001 - Right:41060710001	537	682	590	63

► Drum Brake System Spare Parts

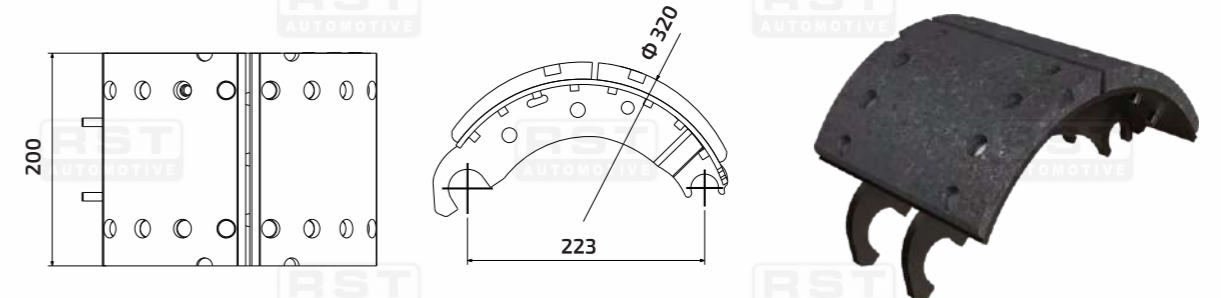
Brake shoe assembly S/N 4020

Item	S / N	Product No.
131	4020	41990020018



Brake shoe assembly S/N 3020

Item	S / N	Product No.
142	3020	41990020075



► Drum Brake System Spare Parts

Return Spring For (3020 Brake Shoe)

Product No.:41600020001



Return Spring For (4020 Brake Shoe)

Product No.:41600020002



Brake Camshafts Additional Part

Product No.:41600020003

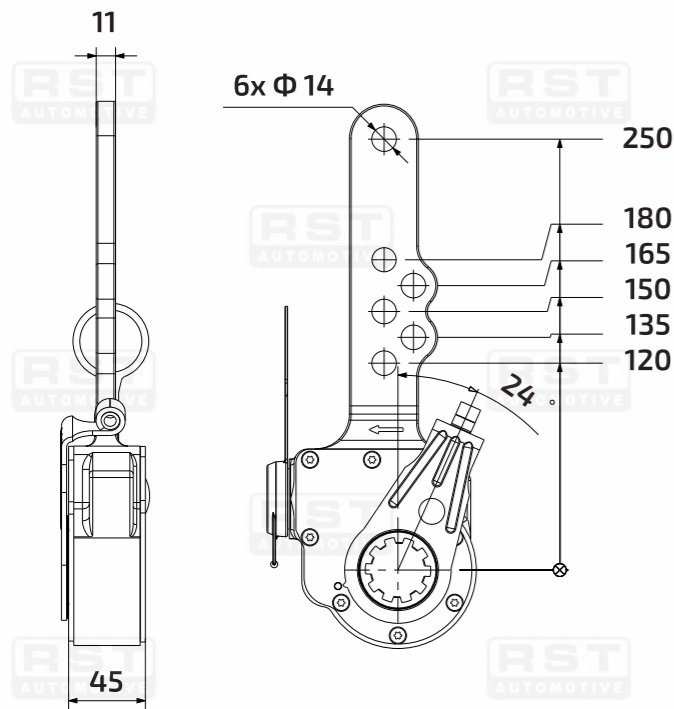


► Drum Brake System Spare Parts

Automatic Slack Adjuster

Product No.: 41580020001

- Additional Part :
Cover /Grease nipple (AS 8 x 1)

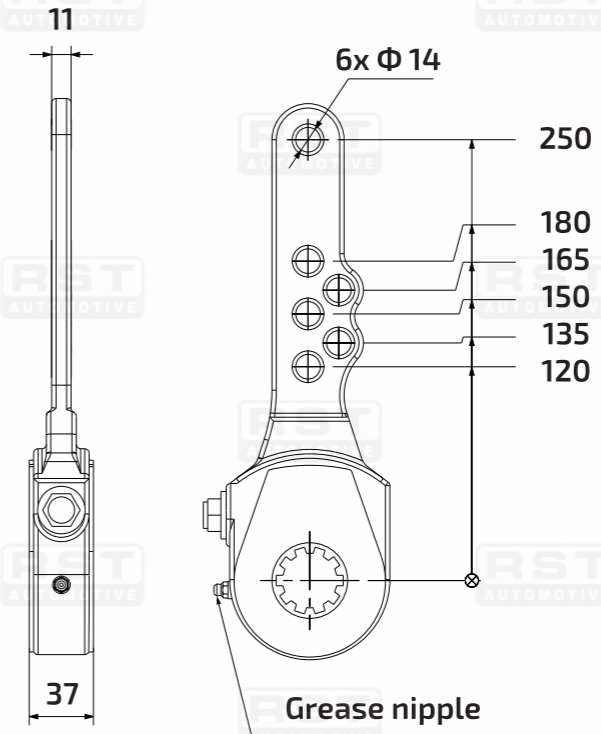


► Drum Brake System Spare Parts

Manual Slack Adjuster

Product No.: 21990010029

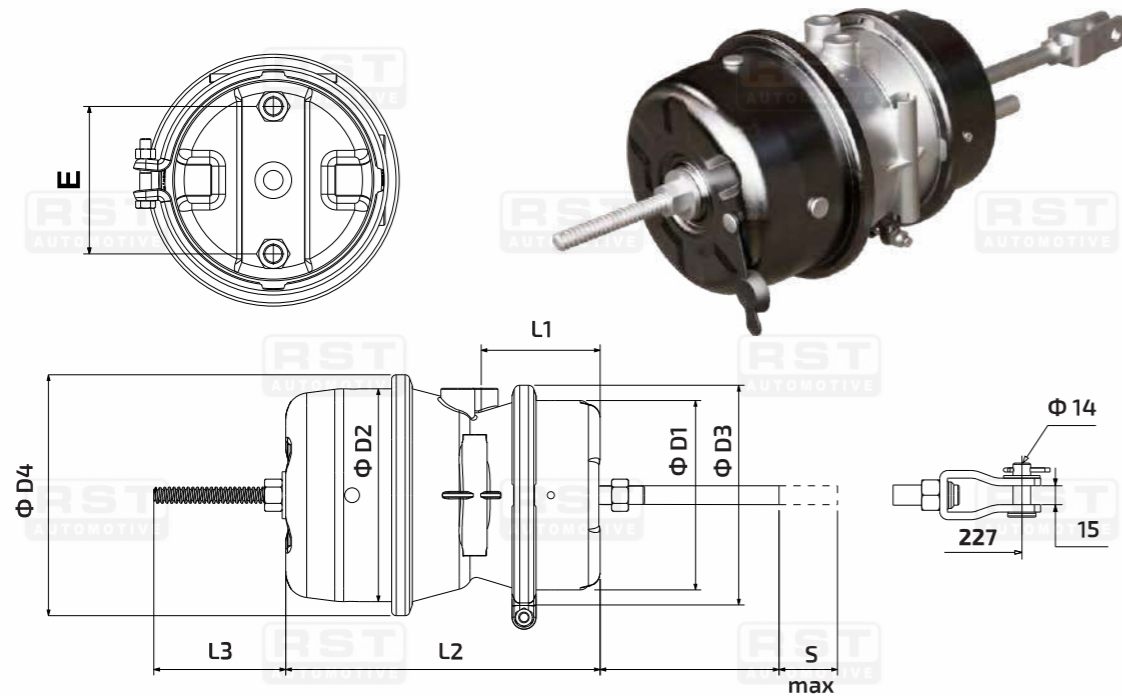
- Additional Part :
Cover /Grease nipple (AS 8 x 1)



► Drum Brake System Spare Parts

Brake Chamber

Item	Chamber Size	Product No.
126	24/30"	21100010045
128	30/30"	21100010005



► Installation Dimensions RST Brake Chamber

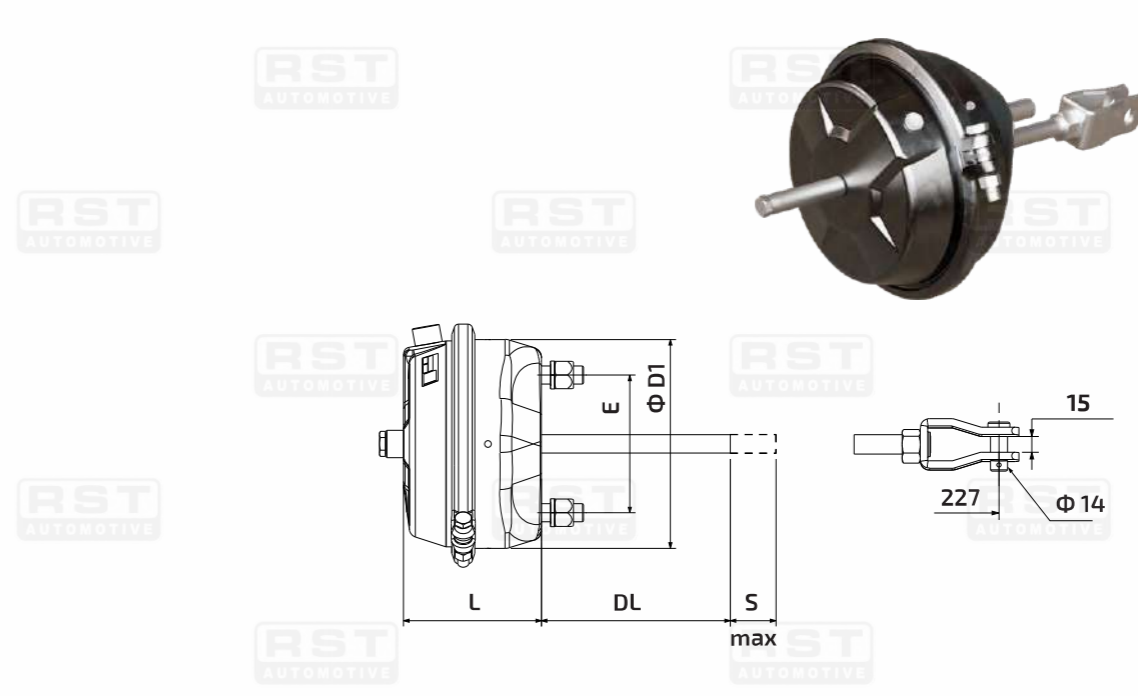
Table No.6

Item	Ø D1mm	Ø D2mm	Ø D3mm	Ø D4mm	L1 mm	L2 mm	L3 mm	DL mm	E mm	Smax mm	Threaded Connection
126	163	183	186	210	102	274	112.5	185	120.7	75	M 16x1.5
128	185	183	210	212	102	274	112.5			79	

► Drum Brake System Spare Parts

Brake Chamber

Item	Chamber Size	Product No.
125	24"	21100010044
127	30"	21100010004



► Installation Dimensions RST Brake Chamber

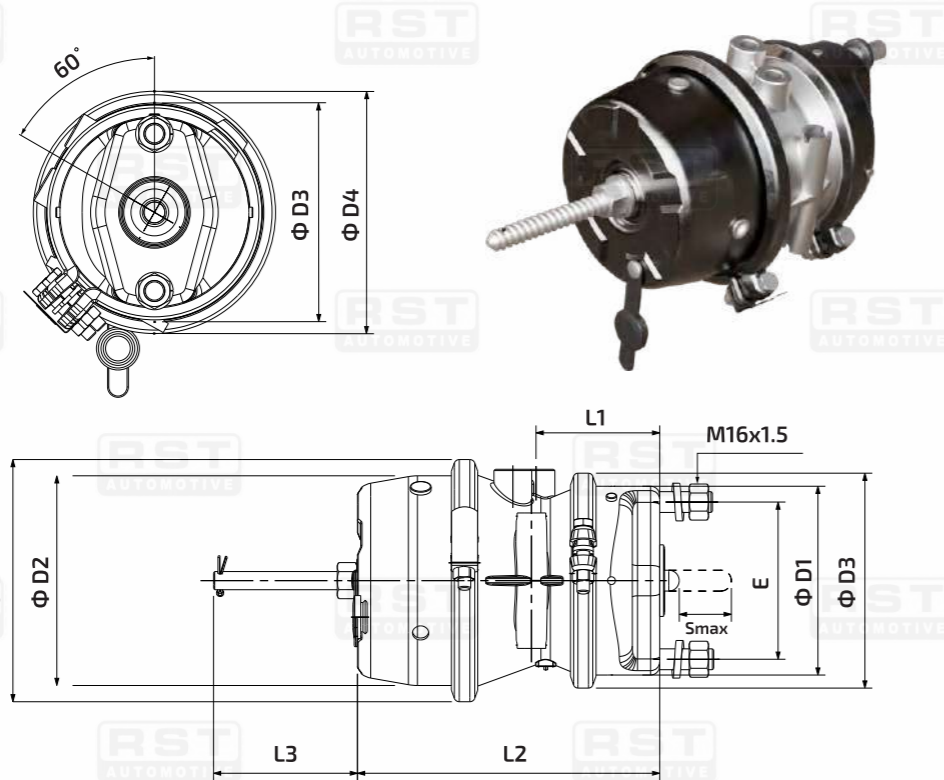
Table No.7

Item	L mm	Ø D1mm	DL mm	E mm	Smax mm	Threaded Connection
125	118.5	161	185	120.7	75	M 16x1.5
127	121.5	183			79	

► Disc Brake System Spare Parts

Brake Chamber

Product No.: 21100010002



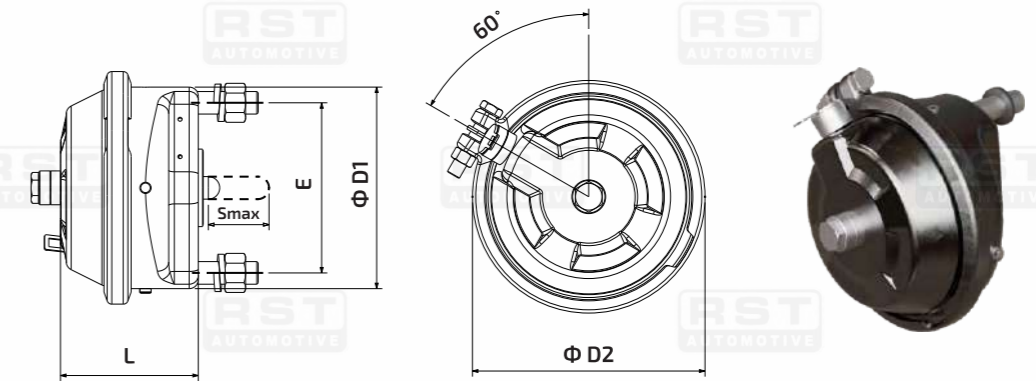
► Installation Dimensions RST Brake Chamber
Chamber Size: 16/24"

Item	Ø D1mm	Ø D2mm	Ø D3mm	Ø D4mm	L1 mm	L2 mm	L3 mm	L4 mm	DL mm	E mm	Smax mm
154	145	161	165	186	95	235	92	85.5	185	120.7	56

► Disc Brake System Spare Parts

Brake Chamber

Product No : 21100010001



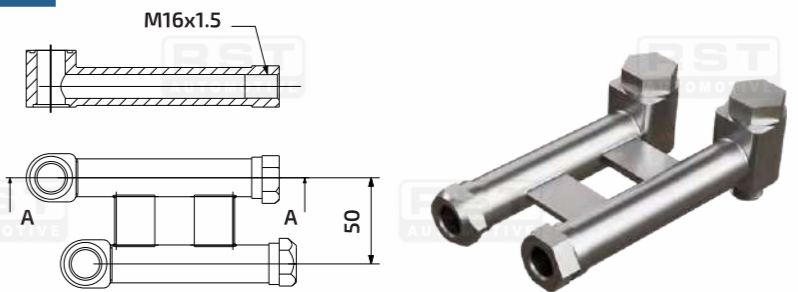
► Installation Dimensions RST Brake Chamber

Table No.9

Item	Chamber Size	ProductNo.	Ø D1 mm	Ø D2 mm	L mm	E mm	Smax mm
155	16"	21100010001	101	145	165	120.7	60

compressed air connection mounted

ItemNo.:156 Product No.: 21100010003

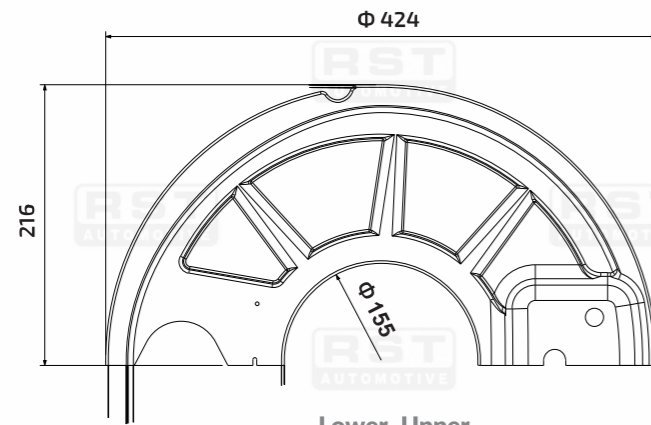


► Drum Brake System Spare Parts

Drum Dust Cover 4020

Product No.: 41990010049

- Additional Part :
Looking Bolt (M10x15)
Return Spring
Plug



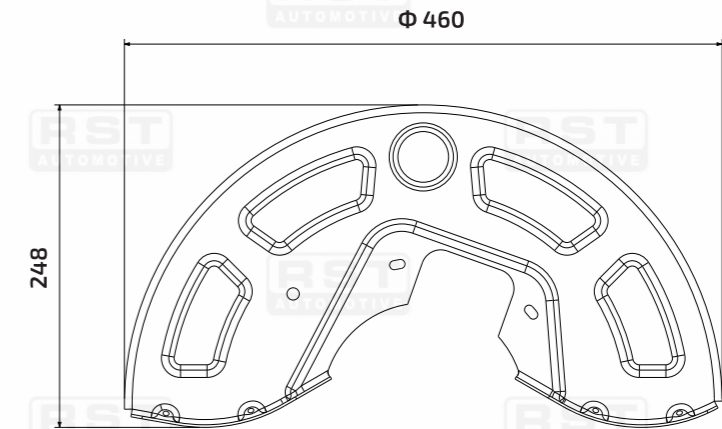
Lower-Upper

► Disc Brake System Spare Parts

Disk Dust Cover

Product No : 41990010250 (Left)

Product No : 41990010249 (Right)

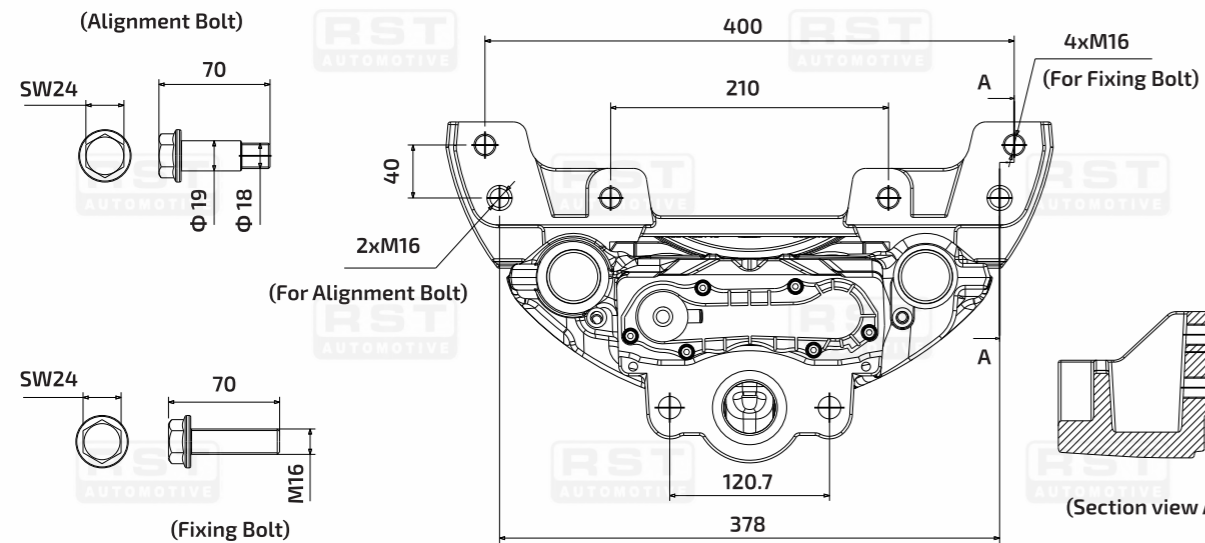


LEFT-RIGHT

► Disc Brake System Spare Parts

Caliper (Left and Right)

Left Caliper Product No.	Right Caliper Product No.
21990010135	21990010136





II Axles Drums, Disks, Hubs

Table of Contents

S-Type Disc and Hub	28
S-Type Drum and Hub	32
B-Type Disc and Hub	38
B-Type Drum and Hub	40

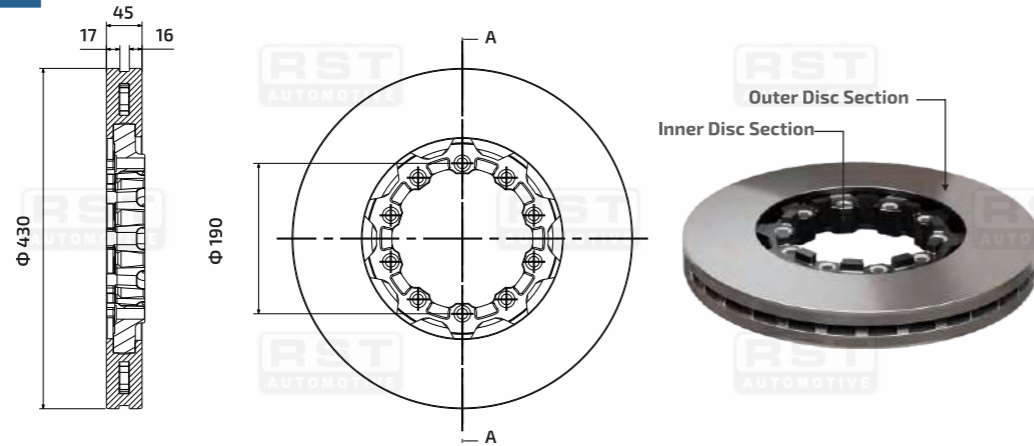
► Disc and Hub System Spare Parts

Type-S

Flat Brake Disk Type S1

Product No.: 41110310001

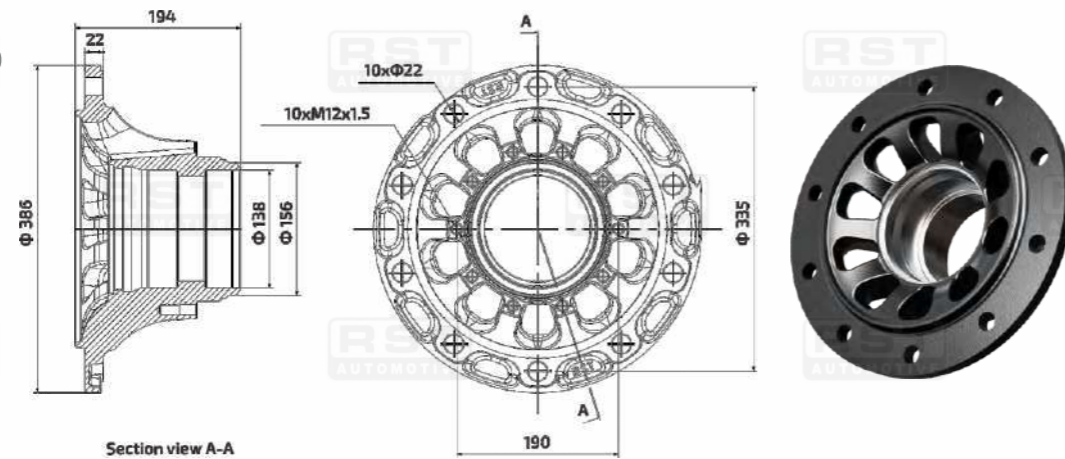
- Material
Inner Disc Section: GGG50
Outer Disc Section: GG25
- Weight: 28.5 Kg



Disk Wheel Hub (S1)

Product No.: 41010410002

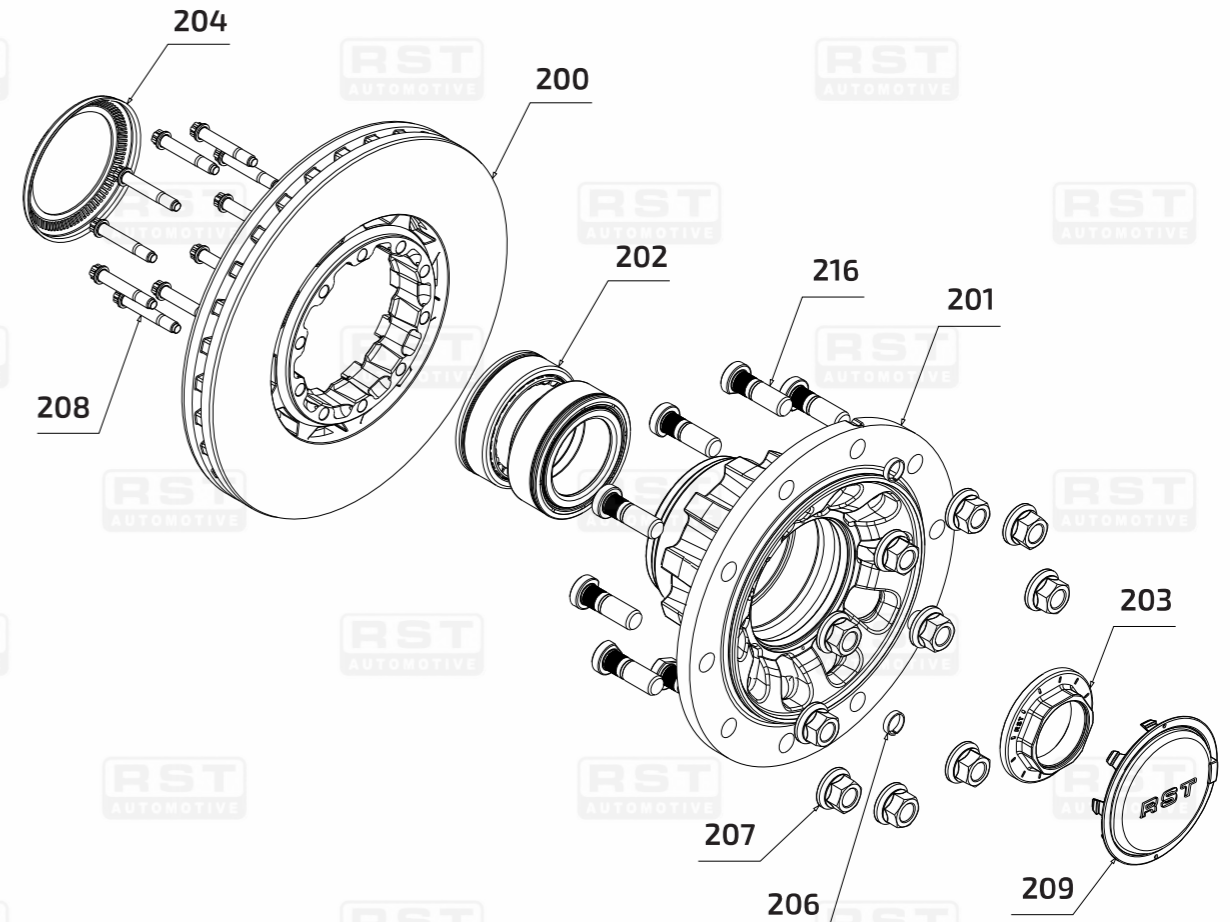
- Material: GGG50
- Weight: 26 Kg



► Spare Parts Assembly Schematic

Exploded View

Disk Wheel Hub Assy (S1)



According to Technical Specification Table No.10

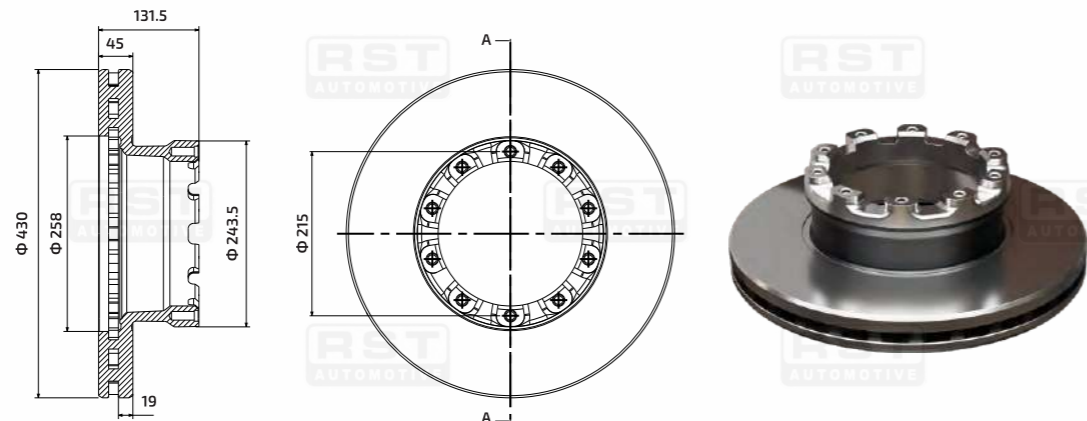
► Disc and Hub System Spare Parts

Type-S

Brake disk Type S2

Product No.: 41110510001

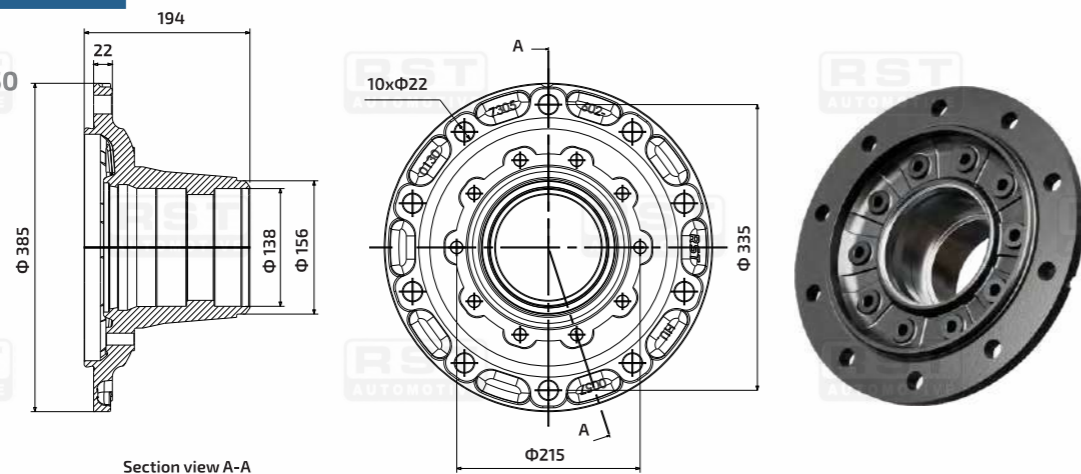
- Material: GG25
- Weight: 36.4 Kg



Disk Wheel Hub (S2)

Product No.: 41011010002

- Material: GGG50
- Weight: 25 Kg

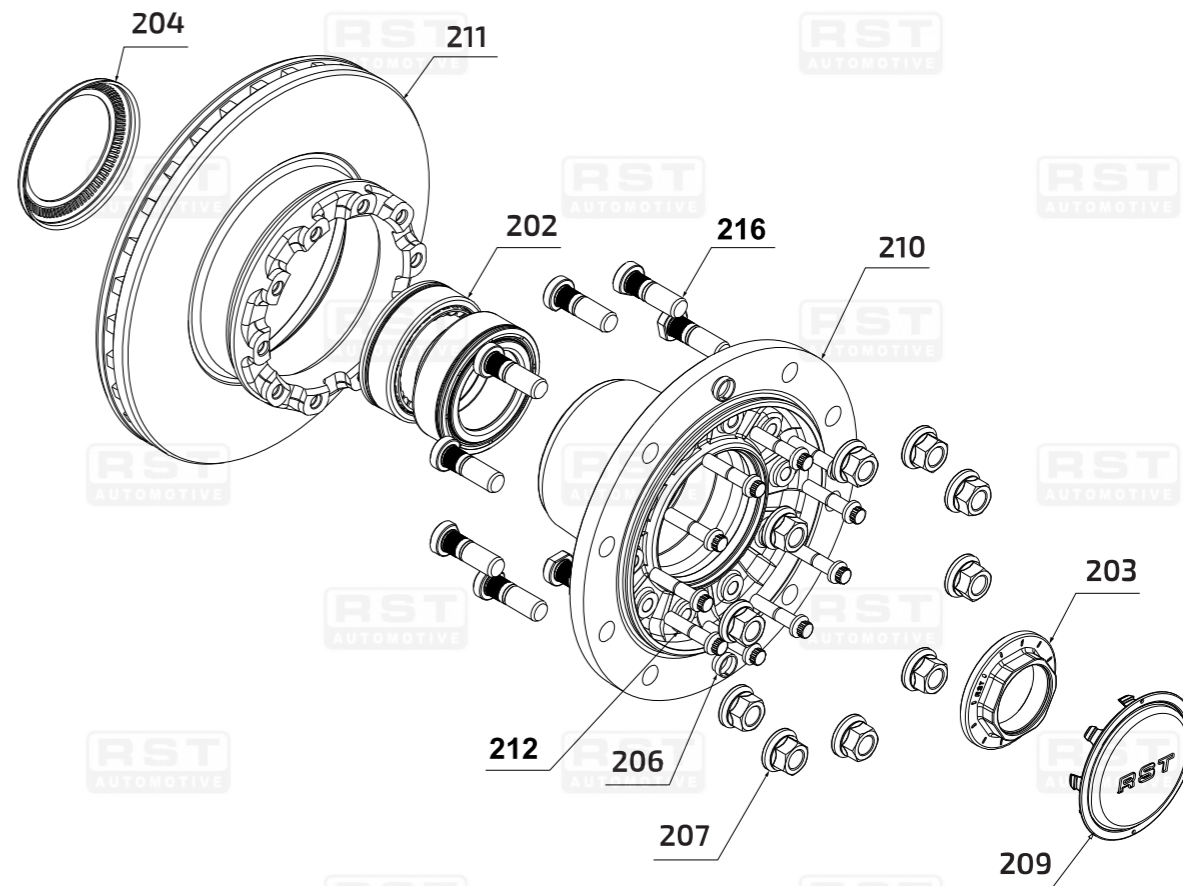


Section view A-A

► Spare Parts Assembly Schematic

Exploded View

Disk Wheel Hub Assy (S2)



According to Technical Specification Table No.10

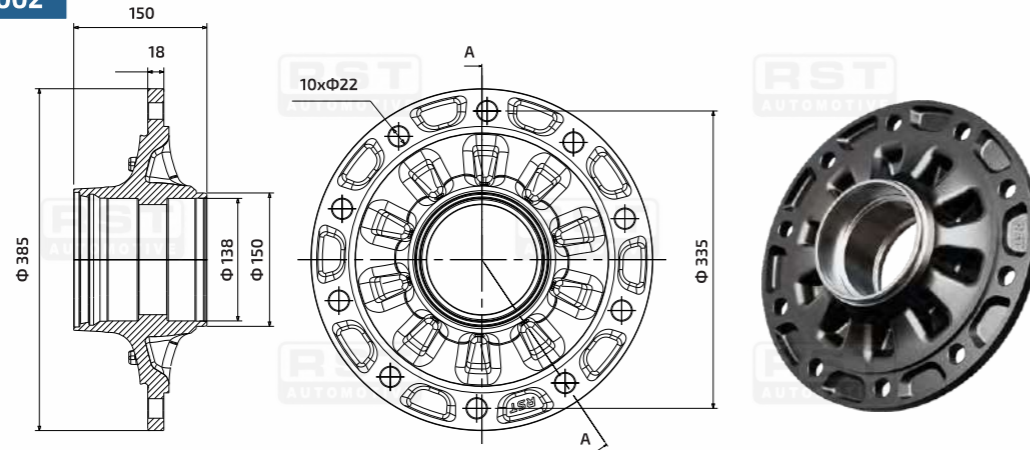
► Drum and Hub System Spare Parts

Type-S

Drum Wheel Hub Type S

Product No. : 41010510002

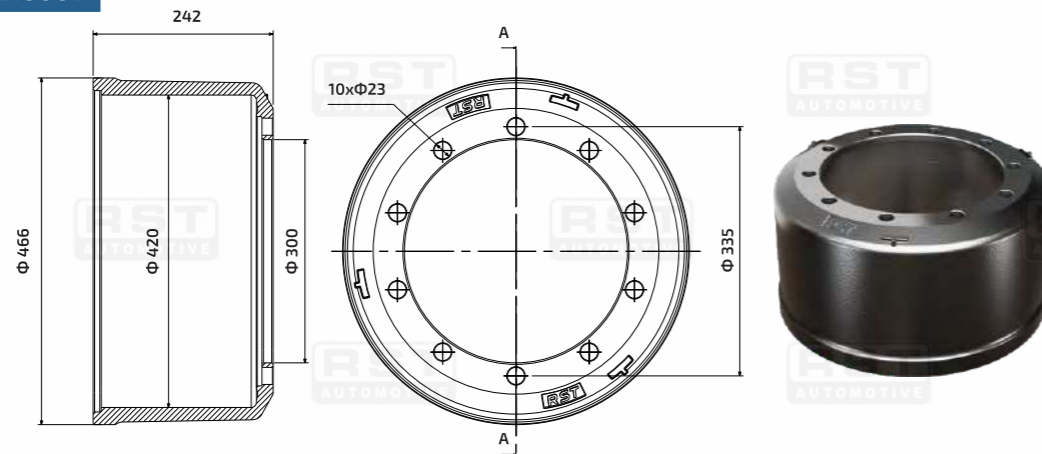
- Material: GGG50
- Weight: 20 Kg



Drum Brake Type S(4020)

Product No.:41090210001

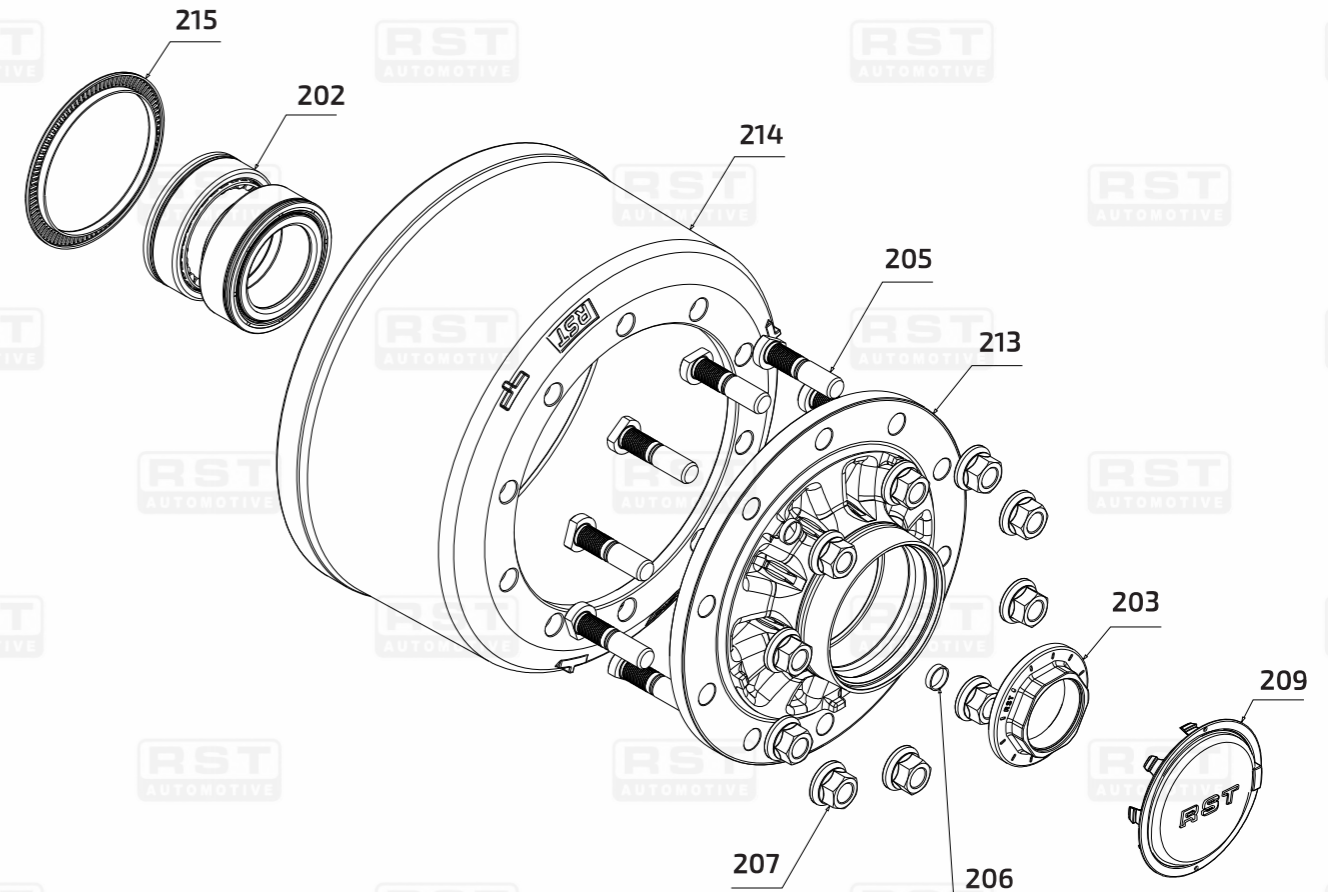
- Material: GG25
- Weight: 48 Kg



► Spare Parts Assembly Schematic

Exploded View

Drum Wheel Hub Assy (Type S)



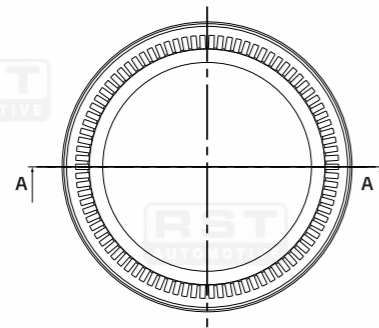
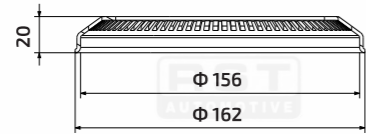
According to Technical Specification Table No.10

► Disc, Drum and Hub System Spare Parts

Type-S

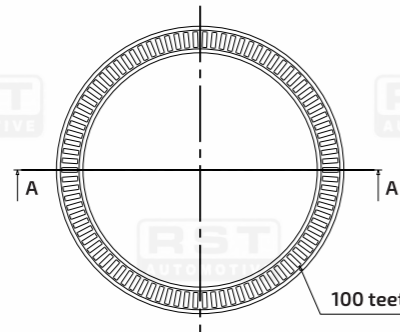
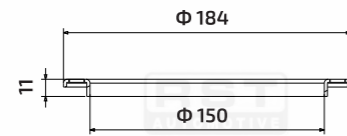
Exciter Ring Type S (Disk Wheel Hub)

Product No.: 31990010055



Exciter Ring Type S (Drum Wheel Hub)

Product No.: 31990010056

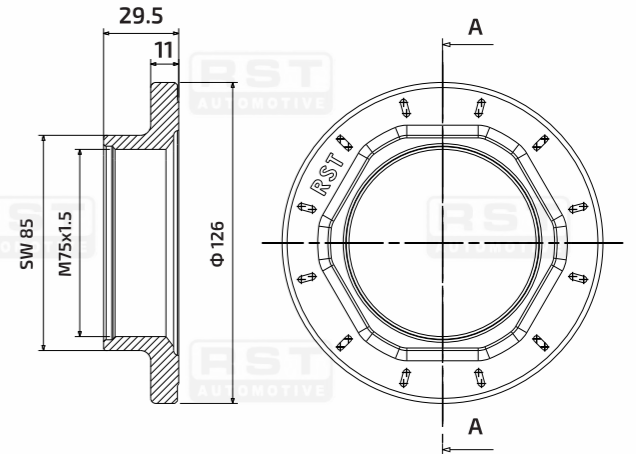


► Disc, Drum and Hub System Spare Parts

Axle Nut Type S (Left/Right Threaded)

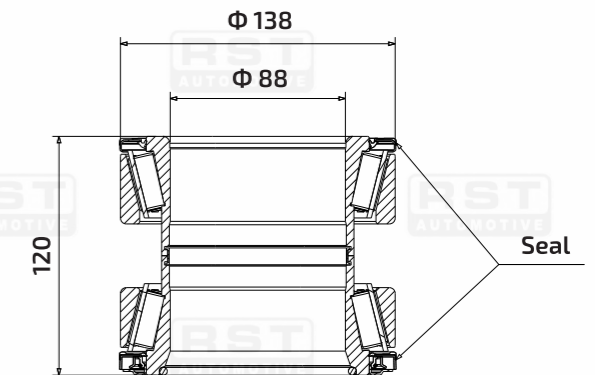
Item	Product No.	Side
203	41030510001	Left
	41030410001	Right

- Material: St.52
- Weight: 1.0 Kg



Rollbreag Pack Type S

Product No.: 21320020003



► Disc, Drum and Hub System Spare Parts

Type-S

Disk Wheel Hub Assy(S2)

Product No.:41010020005



Disk Wheel Hub Assy(S1)

Product No.:41010020003



Hub Cap

Product No.:21990010161



Drum Wheel Hub Assy Type S

Product No.:41990020010



► Technical Specification Table No.10

Item	Part Name	Part Code	Technical characteristics
200	Disk Brake Type S1	41110310001	Casting piece
201	Disk Wheel Hub Type S1	41010410001	Casting piece
202	Wheel Bearing	21320020003	OEM:03 434 4020 01
203	Axle Nut	Left:41030510001	M75x1.5
		Right:41030410001	
204	Exciter Ring	31990010055	-
205	Wheel stud	21130110003	M22x1.5/L=97
206	Centring bush	21990010031	-
207	Wheel nuts	23140010003	M22x1.5/SW 32
208	Disk and hub connection bolt	21130010001	M12.x1.5/L=76
209	Hub Cap	21990010161	-
210	Disk Wheel Hub Type S2	41011010001	Casting piece
211	Brake disc Type S2	41110510001	Casting piece
212	Disk and hub connection bolt	21130110016	M14x1.5
213	Drum Wheel Hub Type S	41010510002	Casting piece
214	Brake Drum Type S(4020)	41090210001	Casting piece
215	Exciter Ring	31990010056	-
216	Wheel stud	21130010002	M22x1.5/L=68

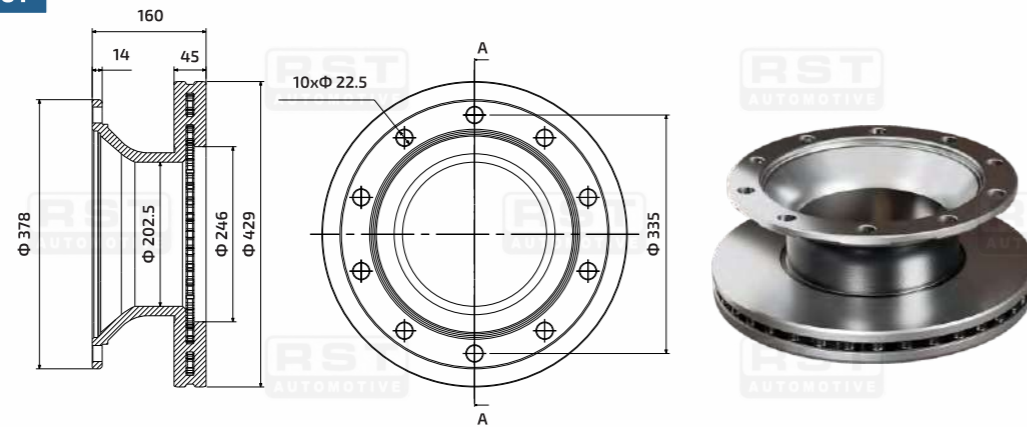
► Disc and Hub System Spare Parts

Type-B

Brake Disk Type B

Product No.: 41110410001

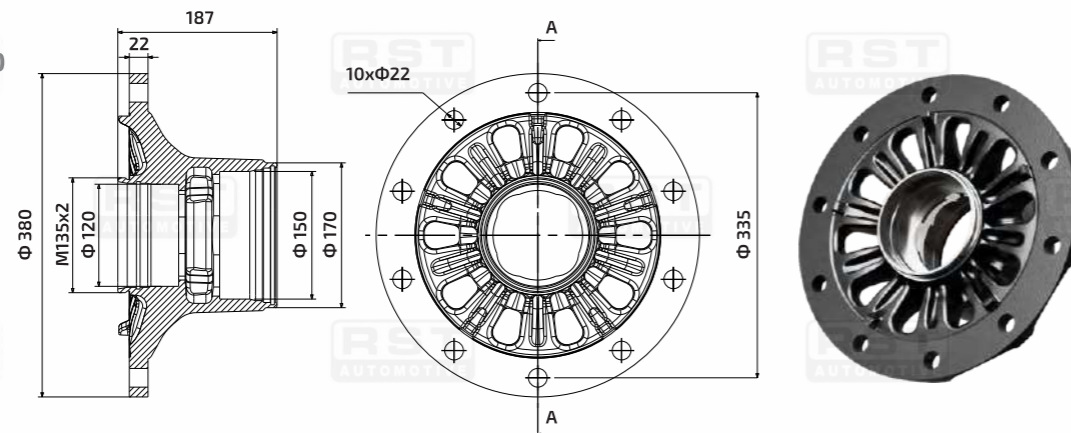
- Material: GG25
- Weight: 38.7 Kg



Disk Wheel Hub Type B

Product No.: 41010710001

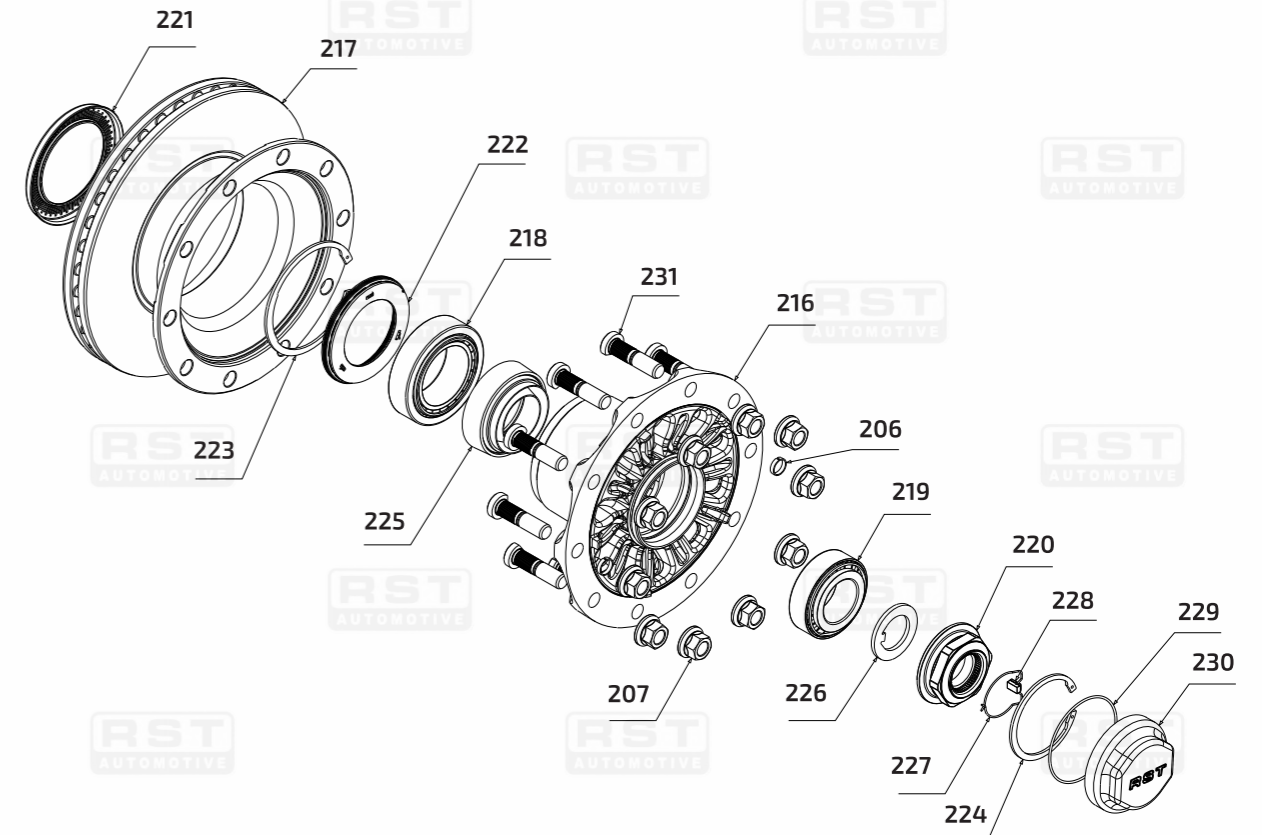
- Material: GGG50
- Weight: 22.5 Kg



► Schematic Diagram of Spare Parts Assembly

Exploded View

Disk Wheel Hub Assy Type B



According to Technical Specification Table No.11

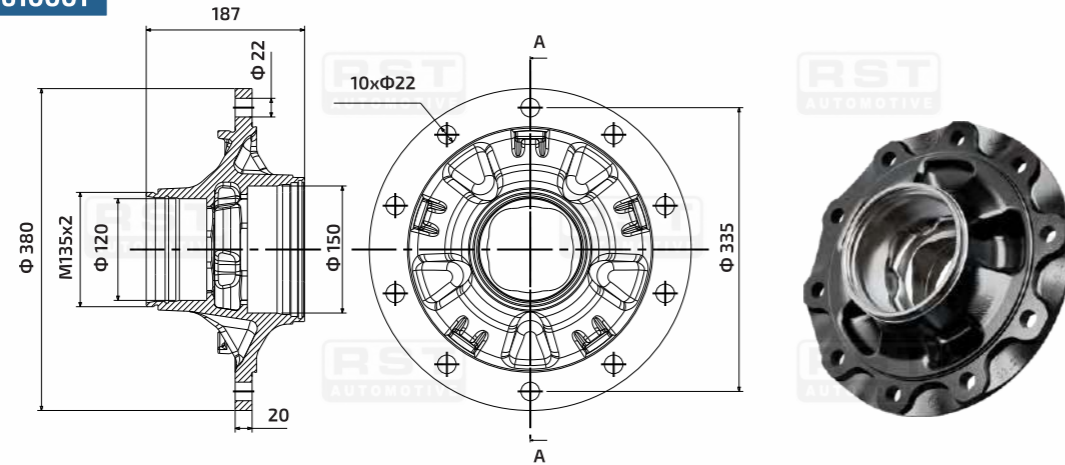
► Drum and Hub System Spare Parts

Type-B

Drum Wheel Hub Type B(4020)

Product No.: 41010610001

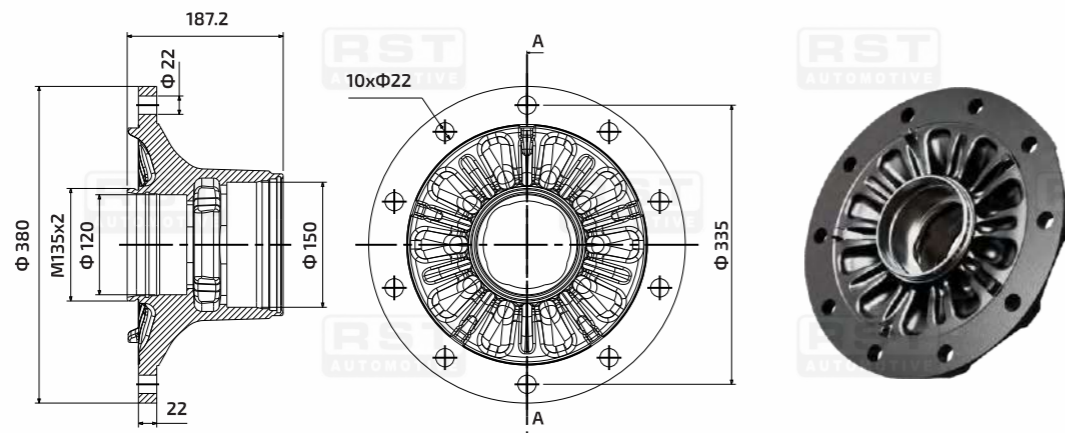
- Material: GGG50
- Weight: 19.5 Kg



Drum Wheel Hub (ET120)

Product No.: 41011110001

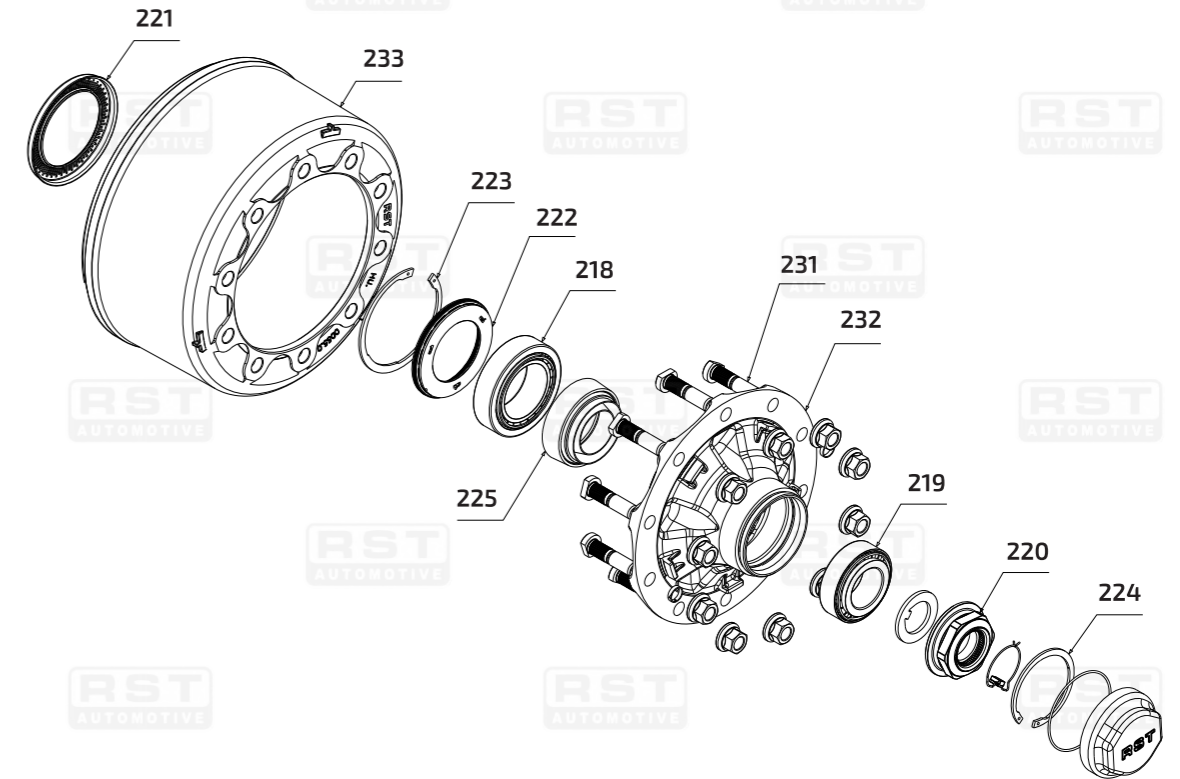
- Material: GGG50
- Weight: 22.5 Kg



► Schematic Diagram of Spare Parts Assembly

Exploded View

Drum Wheel Hub Assy Type B(4020)



According to Technical Specification Table No.11

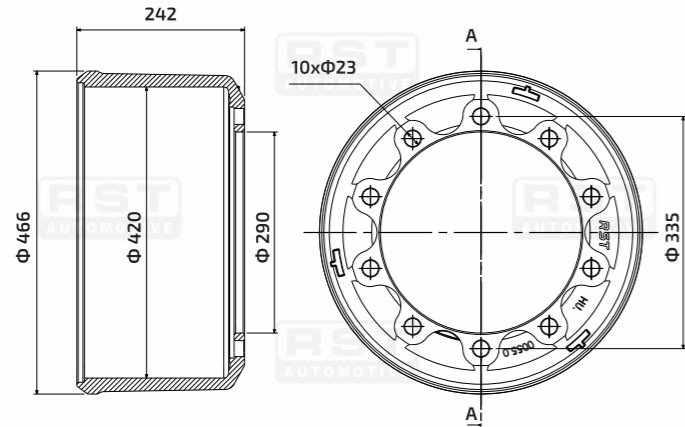
► Drum and Hub System Spare Parts

Type-B

Brake Drum Type B(4020)

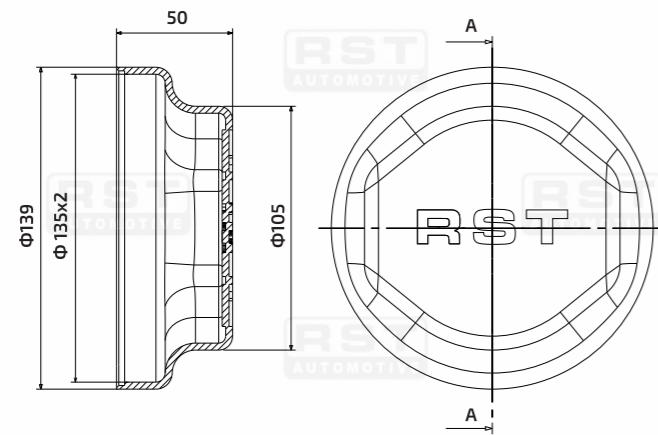
Product No.: 41090110001

- Material: GG25
- Weight: 46.5 Kg



RST Hub Cap

Product No.: 41990010141



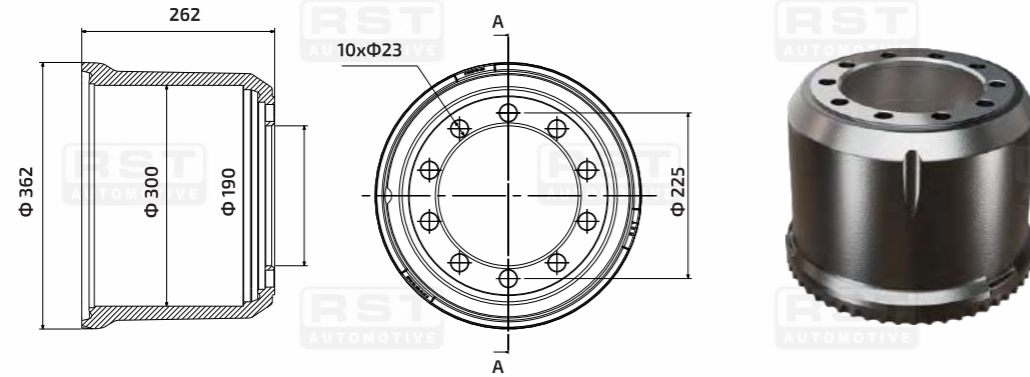
► Drum and Hub System Spare Parts

Type-B

Brake Drum Type B(3020)

Product No.: 41090310001

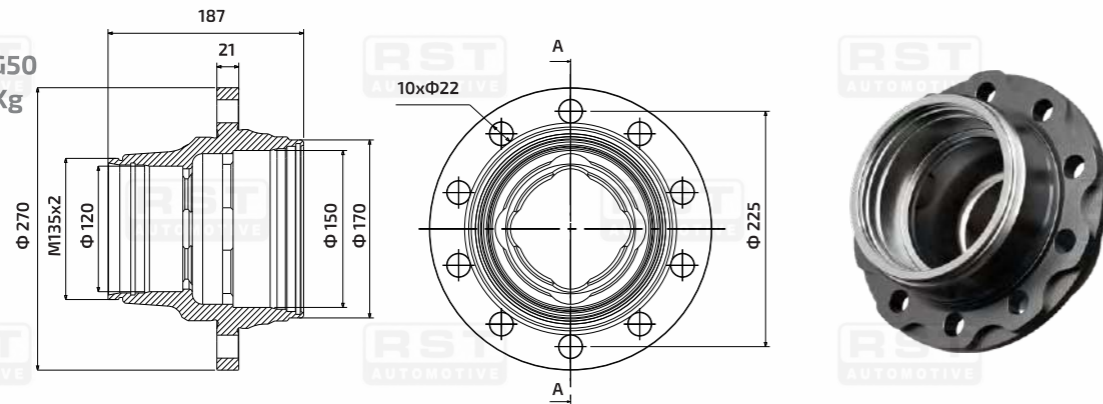
- Material: GG25
- Weight: 37.7 Kg



Drum Wheel Hub (3020)

Product No.:41010810001

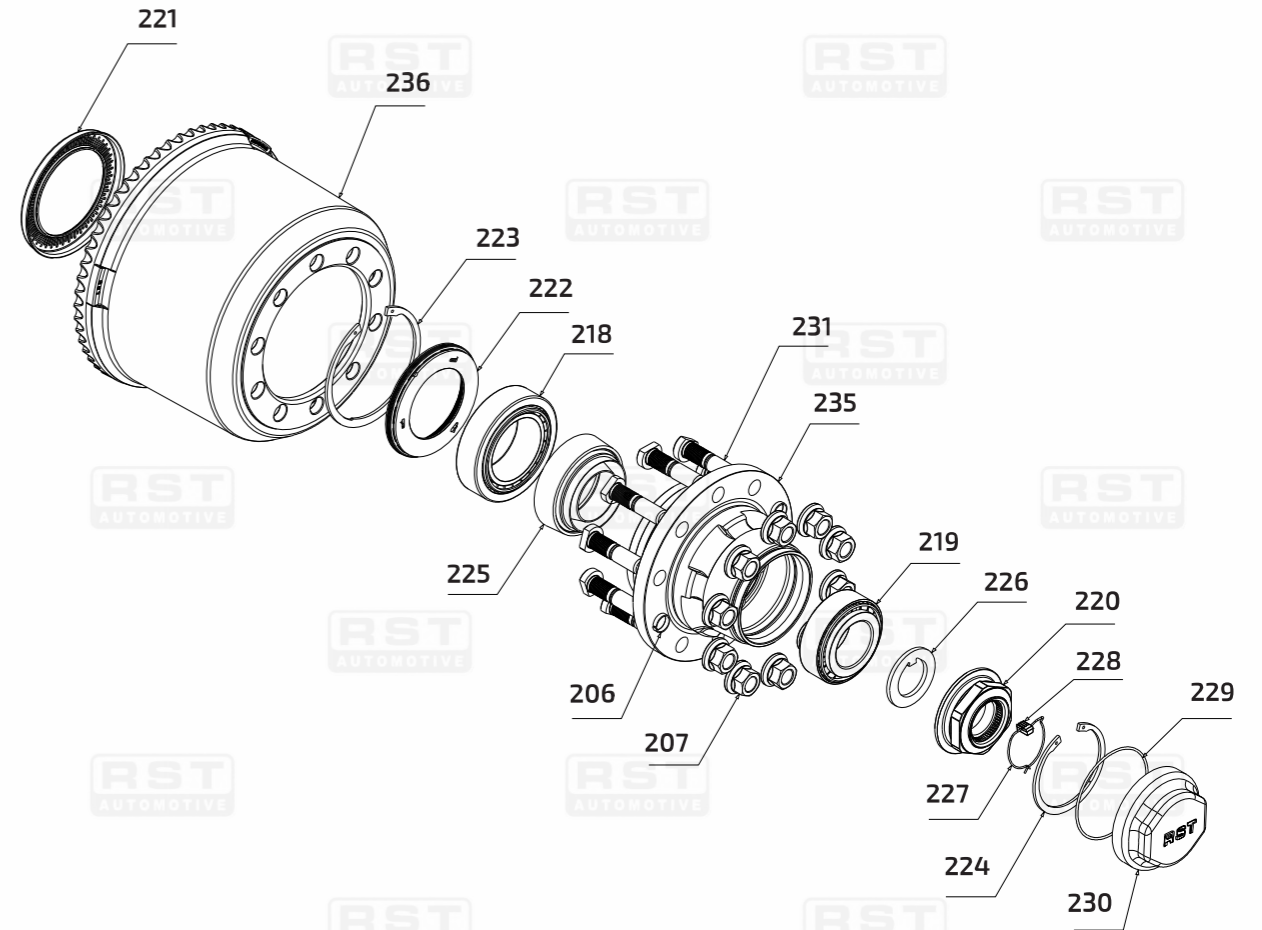
- Material: GGG50
- Weight: 15.5 Kg



► Schematic Diagram of Spare Parts Assembly

Exploded View

Drum Wheel Hub Assy Type B (3020)



According to Technical Specification Table No.11

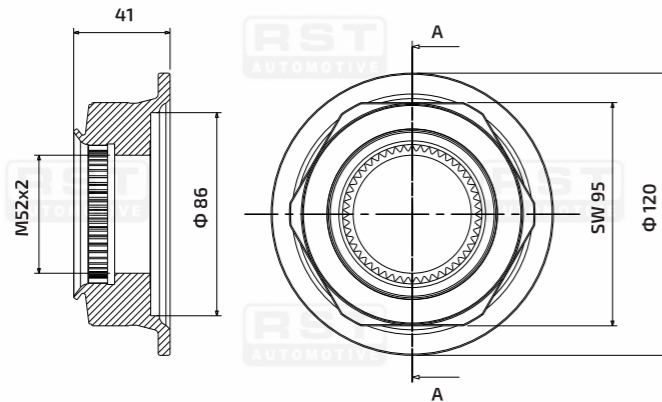
► Disc, Drum and Hub System Spare Parts

Type-B

Axle Nut Type B

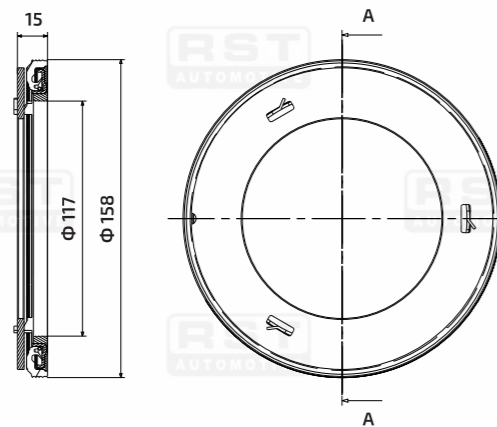
Product No.: 41030610001

- Material: St.52
- Weight: 1.3 Kg



Seal Type B

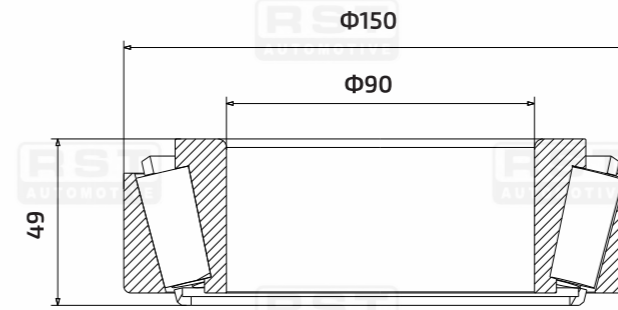
Product No.: 21990010113



► Disc, Drum and Hub System Spare Parts

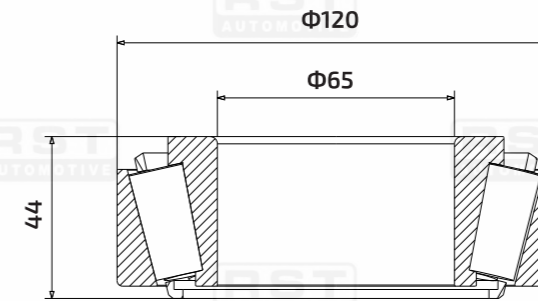
Rollerbearing (33118)

Product No. : 21320010001



Rollerbearing (33213)

Product No.: 21320010002

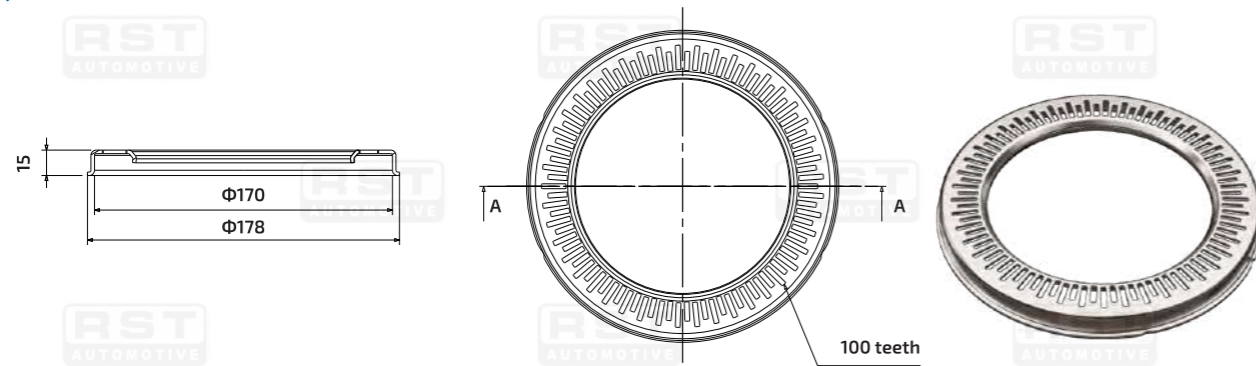


► Disc, Drum and Hub System Spare Parts

Type-B

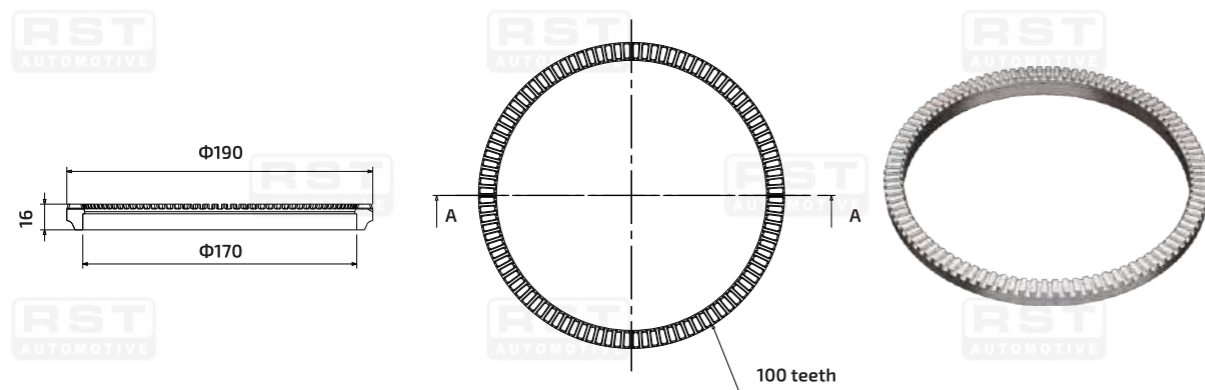
Exciter Ring Type B

Product No.: 41990010057



Exciter Ring Type B

Product No.: 41990010231



► Disc, Drum and Hub System Spare Parts

Type-B

Drum Wheel Hub Assy ET120(4020)

Product No.:4101120001



Drum Wheel Hub Assy Type B(4020)

Product No.:41010620001



Disk Wheel Hub Assy Type B

Product No.:41010720001



Drum Wheel Hub Assy Type B(3020)

Product No.:41010820001



► Technical Specification Table No.11

Item	Part Name	Part Code	Technical characteristics
206	Centring bush	21990010031	-
207	Wheel nuts	23140010003	M22x1.5/SW 32
216	Disk Wheel Hub Type B	41010710001	Casting piece
217	Brake Disk Type B	41110410001	Casting piece
218	Roller bearings	21320010001	33118
219	Roller bearings	21320010002	33213
220	Axle nut	41030610001	M 52 x 2 / WAF 95
221	Exciter ring	41990010057	-
222	Seal	21990010113	Ø 117.5 x 158 x 12.5
223	Circlip	21990010058	170 x 4 / 472
224	Circlip	21990010059	128x 4 / 472
225	Grease cartridge	41990010055	Ø 101 / 130 x 50
226	Washer	41990010098	Ø 53 / 83 x 5.8
227	Hooked spring ring	21990010061	Ø 62 x 1.8
228	Locking piece	21990010060	-
229	O-ring	21990010039	Ø 126 x 3
230	Hub cap	41990010141	M135x2/H48/SW110
231	Wheel stud	21130110003	M22x1.5/L=97
232	Drum Wheel Hub Type B	41010610001	Casting piece
233	Brake Drum Type B(4020)	41090110001	Casting piece
234	Drum Wheel Hub Type B(ET120)	41011110001	Casting piece
235	Drum Wheel Hub Type B(3020)	41010810001	Casting piece
236	Brake Drum Type B(3020)	41090310001	Casting piece



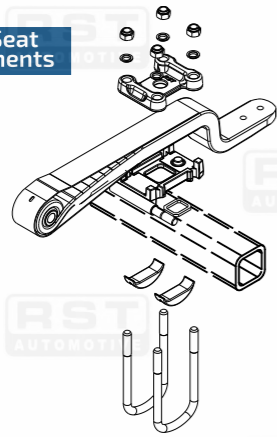
III Suspension Systems

Table of Contents

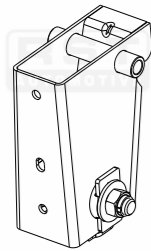
Air Suspension System Spare Parts	56
Leaf Spring Suspension System Spare Parts	58
Air Spring – Air Suspension System	66
Air Spring – Leaf Spring System	70
Shock Absorber – Air Suspension System	74
Shock Absorber – Leaf Spring System	76
Air Suspension Hanger	78
Leaf Spring Hanger – B Type	82
Leaf Spring Hanger – S Type	86
Leaf Spring Lift Axle Kit	90
Air Suspension Lift Axle Kit	94

► Suspension System - Trailing Arms

2-2 Spring Seat Arrangements



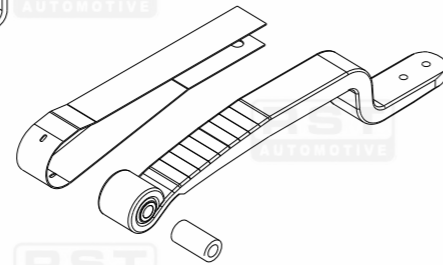
5 Hanger Bracket



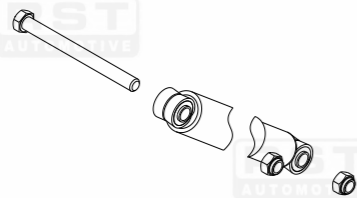
3 Air Spring



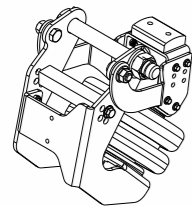
2-1 Trailing Arms



4 Shock absorber and attachments



6 Axle Lift

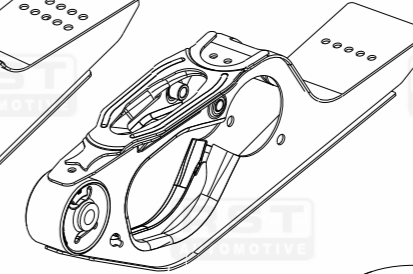


► Suspension System - Intra

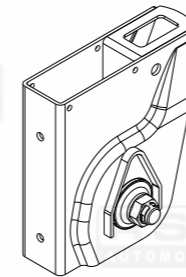
1 IO Suspension



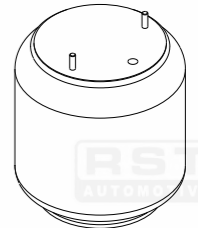
1 IU Suspension



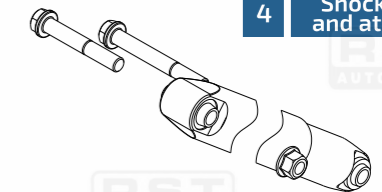
5 Hanger Bracket



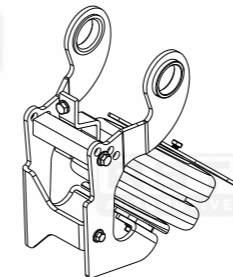
3 Air Spring



4 Shock absorber and attachments



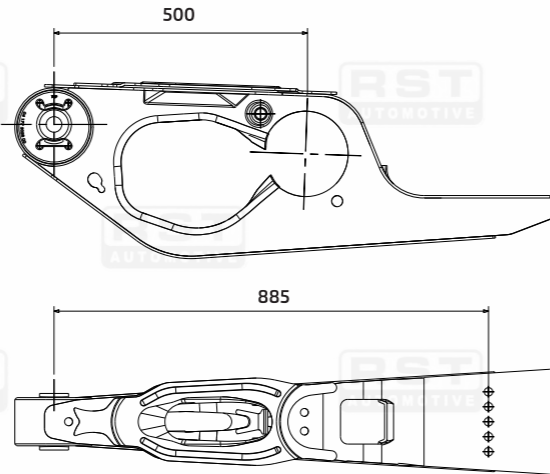
6 Axle Lift



► Intra Suspension Spare Parts

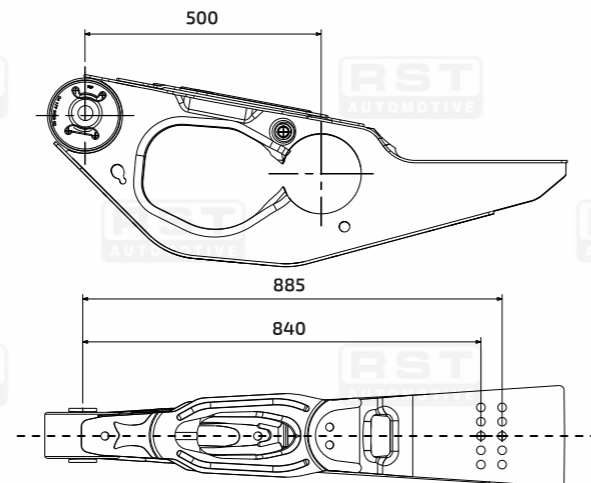
Intra IU

Product No.: 41990020015



Intra IO

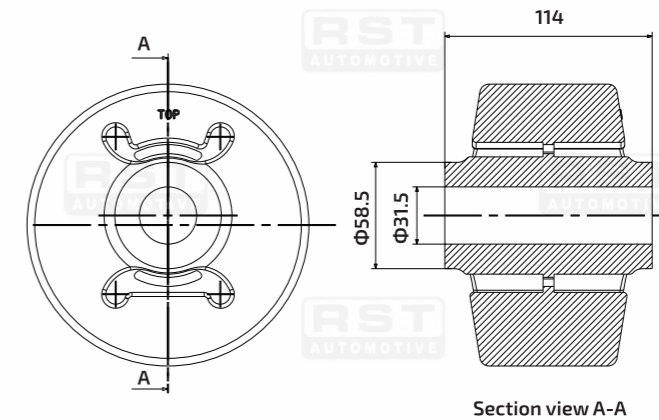
Product No.: 41990020003



► Intra Suspension Spare Parts

Rubber Bushing

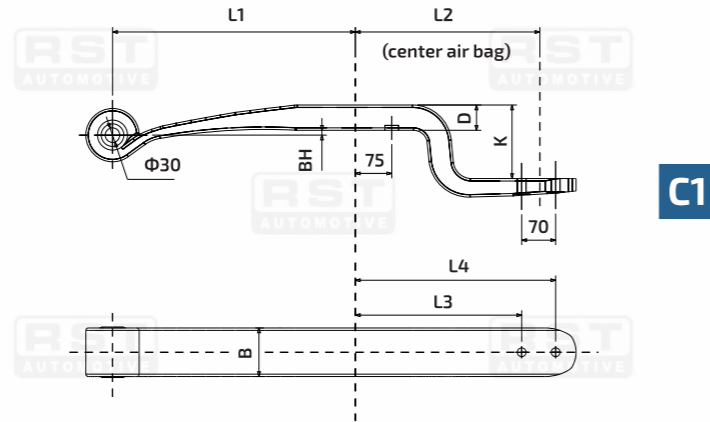
Product No. : 21990010009



▶ Trailing Arms Suspension Spare Part

Cranked Single Leaf Trailing Arm

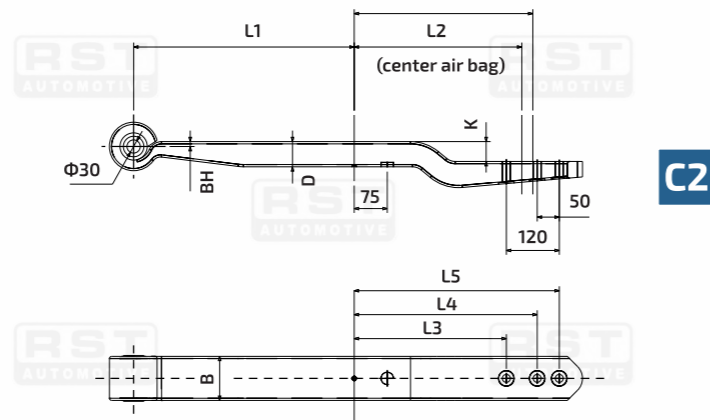
Product No.: 21990010063-41990010061



C1

Straight Single Leaf Trailing Arm

Product No.: 21990010099

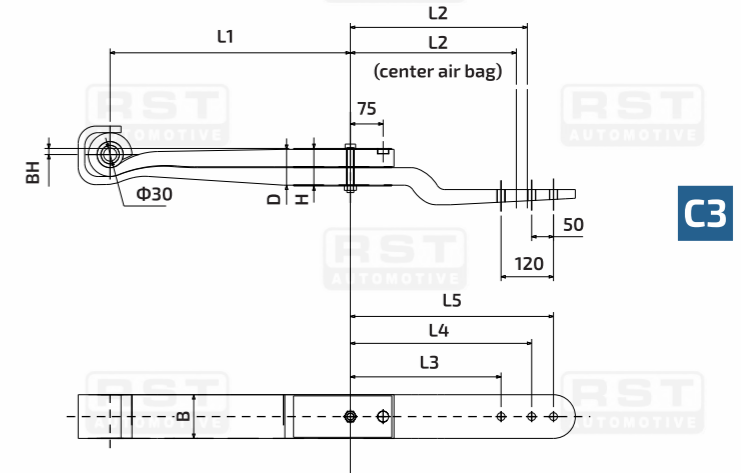


C2

▶ Trailing Arms Suspension Spare Parts

Straight Double Leaf Trailing Arm

Product No. : 21990010137



C3

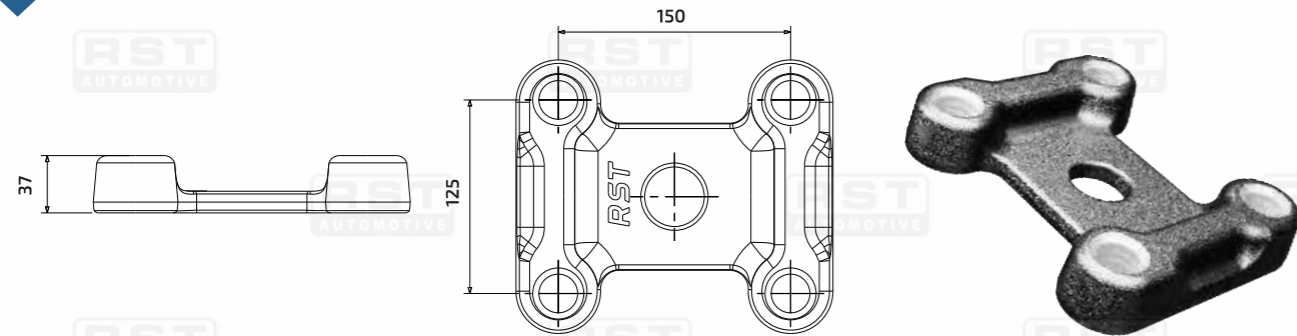
Technical Specification Table No.12

Trailing arms, 100mm wide (B)									
Dimension Table									
Fig	K	D	H	BH	L1	L2	L3	L4	L5
C1	150	51	—	10	500	380	345	415	—
C2	45	57	—	10	500	380/405	345	415	465
C3	—	82	86	14	550	380/405	345	415	465

▶ Trailing Arms Suspension Spare Part

Spring Plate / Axle Type: 4020

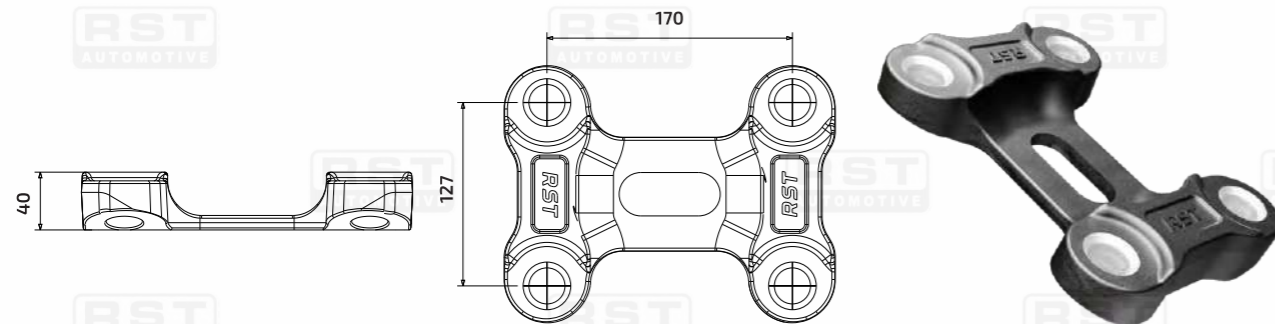
Product No.: 41080210001



(For Axle Beam 120)

Spring Plate / Axle Type: 4020

Product No.: 41080010001



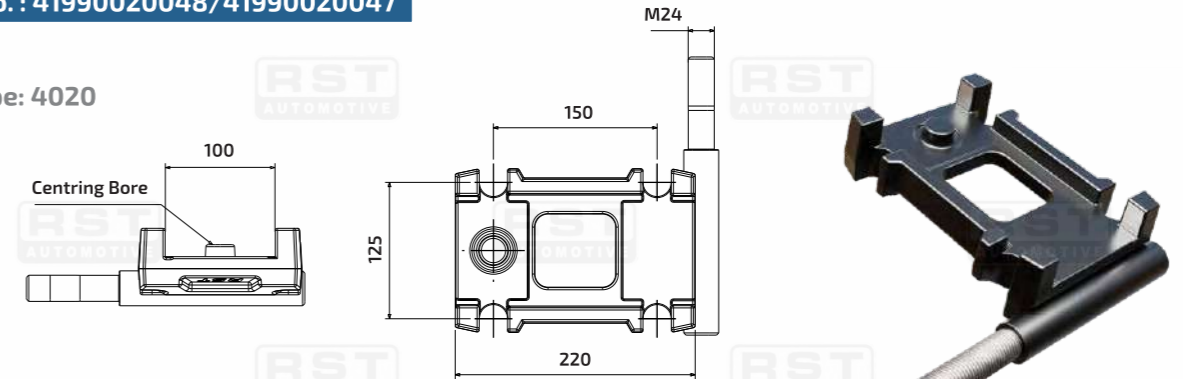
(For Axle Beam $\Phi 148$)

▶ Trailing Arms Suspension Spare Parts

Axle Plates With Bolt (for Shock Absorber Attachment)

Product No. : 41990020048/41990020047

▶ Axle Type: 4020

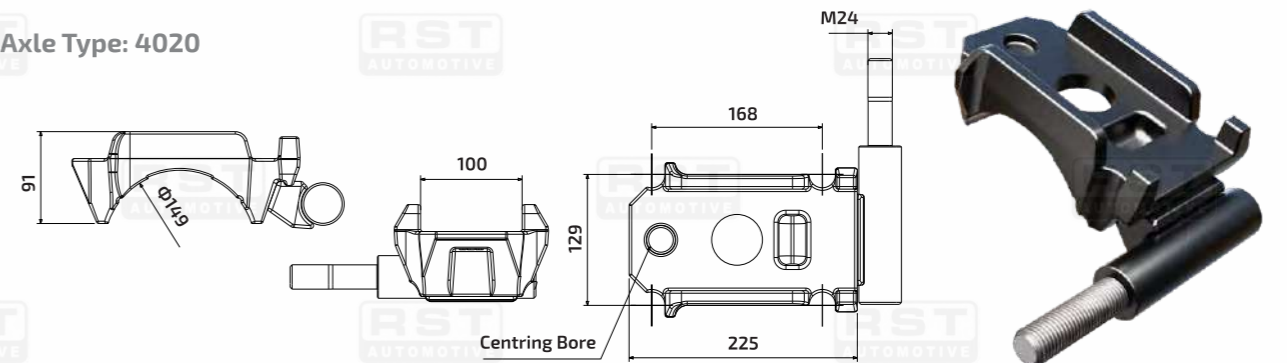


(For Axle Beam $\square 120$)

Axle Plates With Bolt (for Shock Absorber Attachment)

Product No.: 41990020038/41990020037

▶ Axle Type: 4020



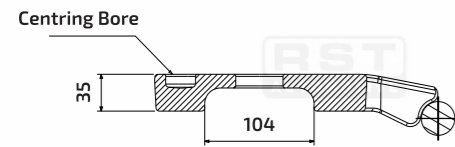
(For Axle Beam $\Phi 148$)

▶ Trailing Arms Suspension Spare Part

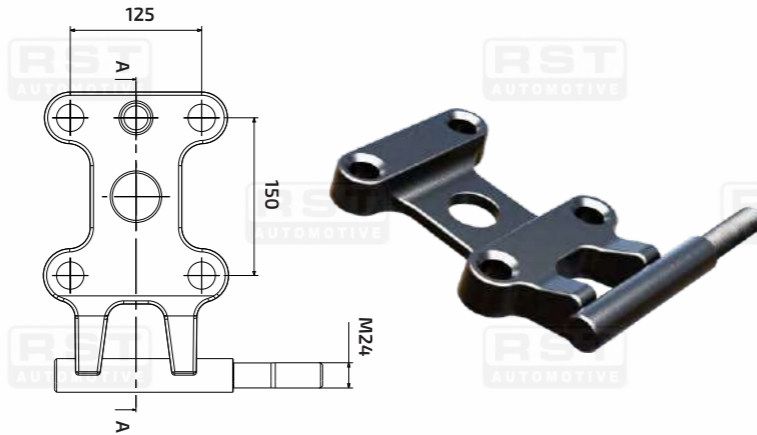
Axle Plates With Bolt (for Shock Absorber Attachment)

Product No.: 41990020035/41990020036

▶ Axle Type: 3020



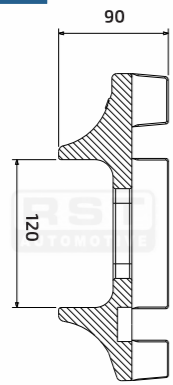
(For Axle Beam □120)



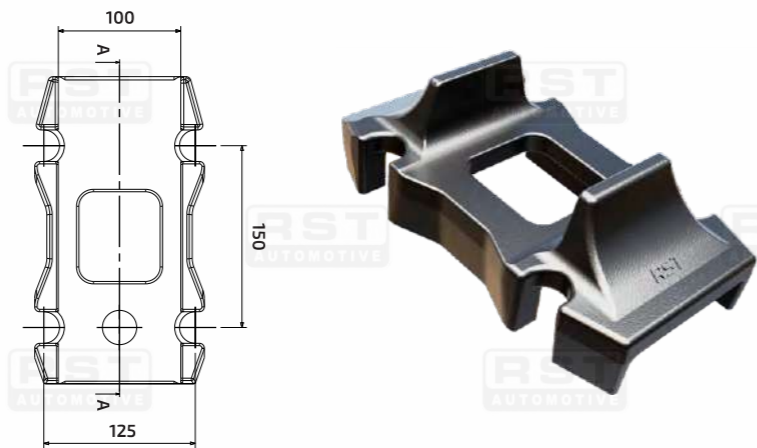
Spring Plate Axle Type: 3020

Product No.: 41080110001

▶ Axle Type: 3020



Section view A-A



▶ Trailing Arms Suspension Spare Parts

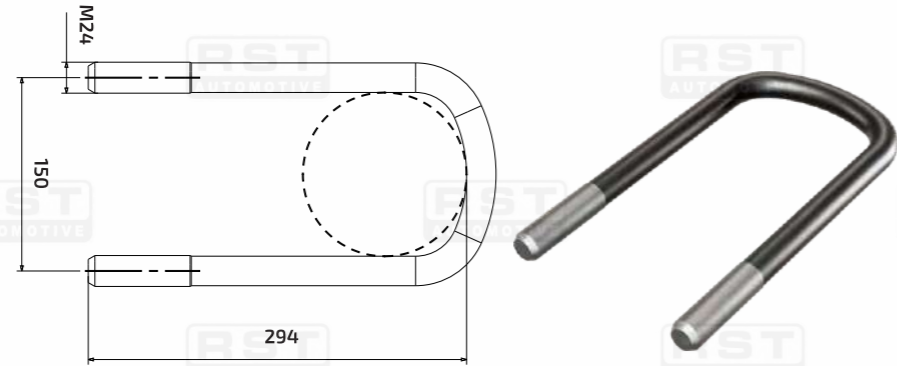


▶ Trailing Arms Suspension Spare Part

Spring U-Bolt (Trailing arms 100 mm wide)

Product No.: 21990010069

- ▶ Washer Size: Ø25 / Din 125
- ▶ Lock nut: M24 - 10 H / SW 36

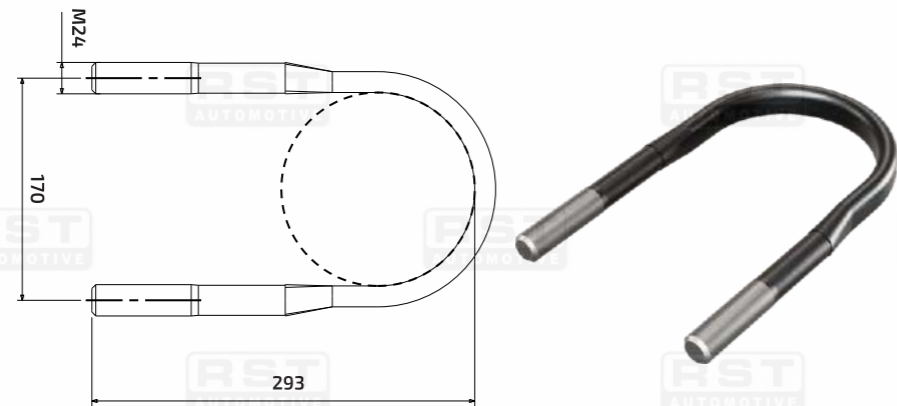


(For Axle Beam □120)

Spring U-Bolt (Trailing arms 100 mm wide)

Product No.: 21990010071

- ▶ Washer Size: Ø 25 / DIN 125
- ▶ Lock nut: M24 - 10 H / SW 36

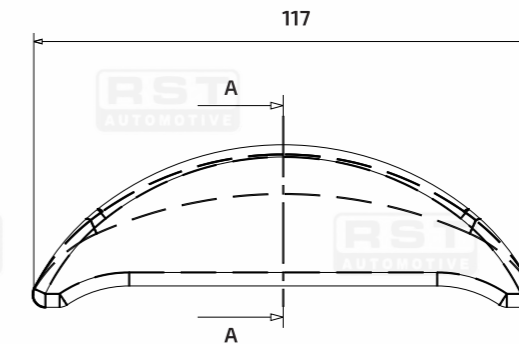
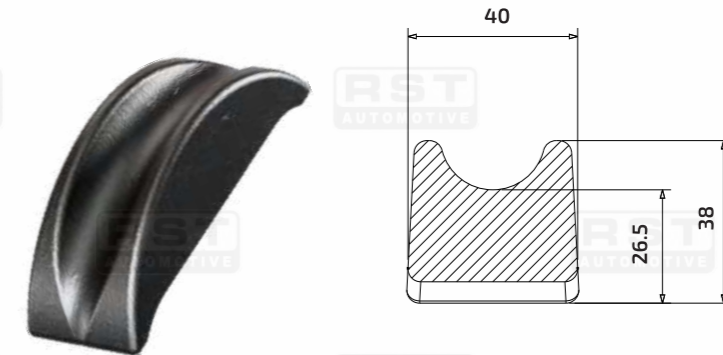


(For Axle Beam Φ146)

▶ Trailing Arms Suspension Spare Parts

Single Segments

Product No. : 21990010170



(For Axle Beam □120)

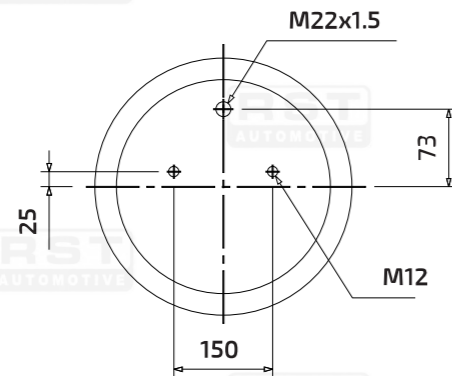
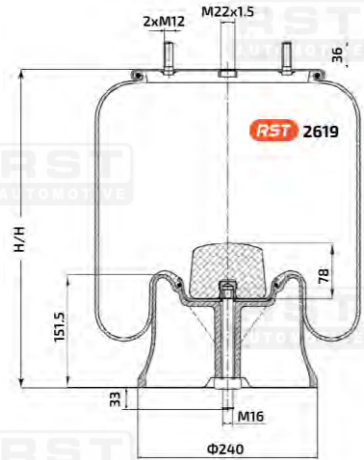
► Intra Suspension Spare Parts

AirSpring-2619

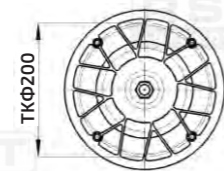
Product No.: 21990010074

Description

H min = 190 mm
H max = 560 mm
Ø 300 mm
Plastic Piston



TOP VIEW



BOTTOM VIEW

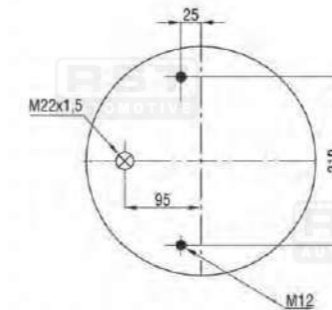
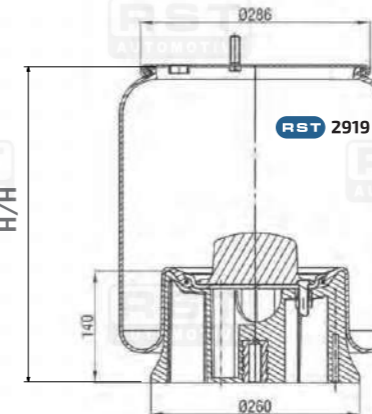
► Intra Suspension Spare Parts

Air Spring-2919

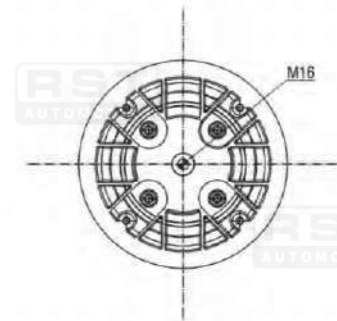
Product No.: 21990010002

Description

H min = 190 mm
H max = 560 mm
Ø 350 mm
Plastic Piston



TOP VIEW



BOTTOM VIEW

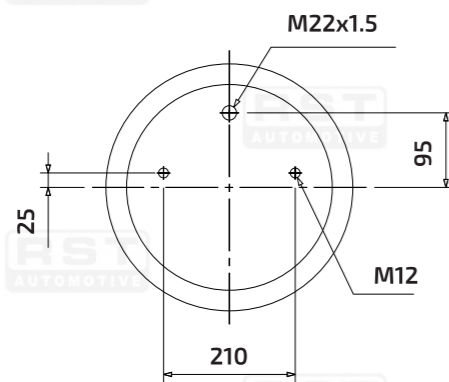
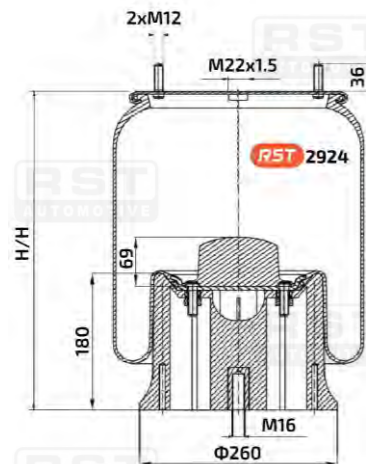
► Intra Suspension Spare Parts

AirSpring-2924

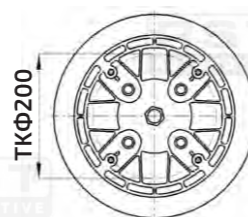
Product No.:21990010128

Description

H min = 230 mm
H max = 675 mm
Ø 350 mm
Plastic piston



TOP VIEW



BOTTOM VIEW



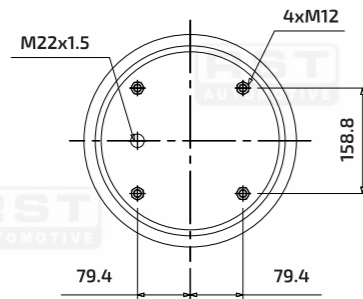
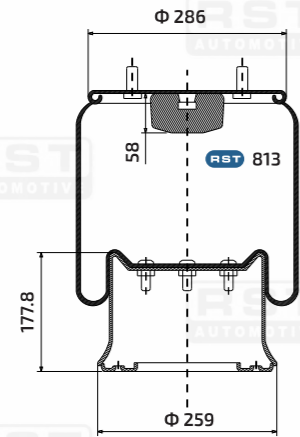
▶ Trailing Arms Suspension Spare Part

Air Spring-813

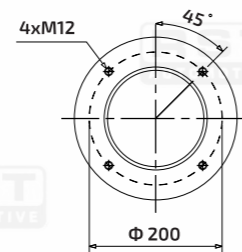
Product No.: 21990010066

Description

H min = 240 mm
H max = 680 mm
Ø 300 mm
Metal Piston



TOP VIEW



BOTTOM VIEW

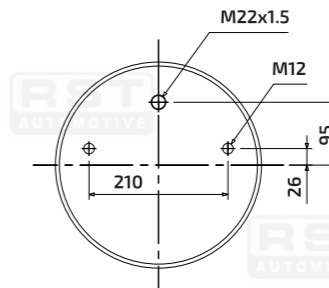
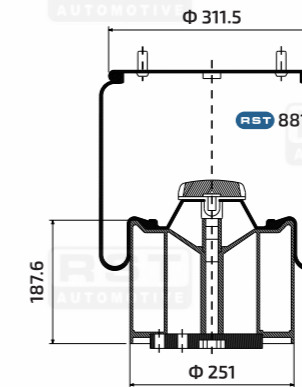
▶ Trailing Arms Suspension Spare Parts

Air Spring-881

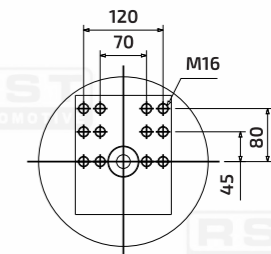
Product No.: 21990010057

Description

H min = 240 mm
H max = 690 mm
Ø 350 mm
Plastic Piston



TOP VIEW



BOTTOM VIEW

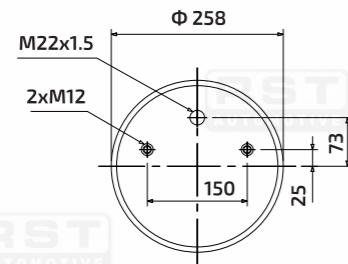
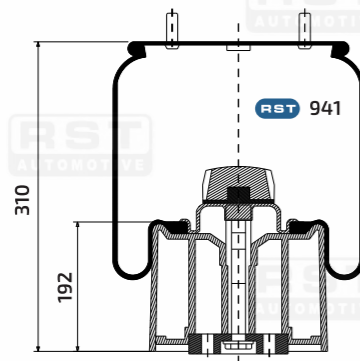
► Trailing Arms Suspension Spare Part

AirSpring-941

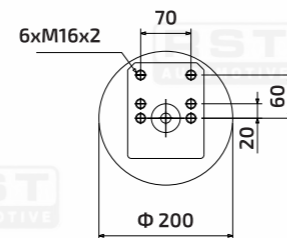
Product No.:21990010131

Description

H min =265 mm
H max = 700 mm
Ø 300 mm
Plastic Piston



TOP VIEW



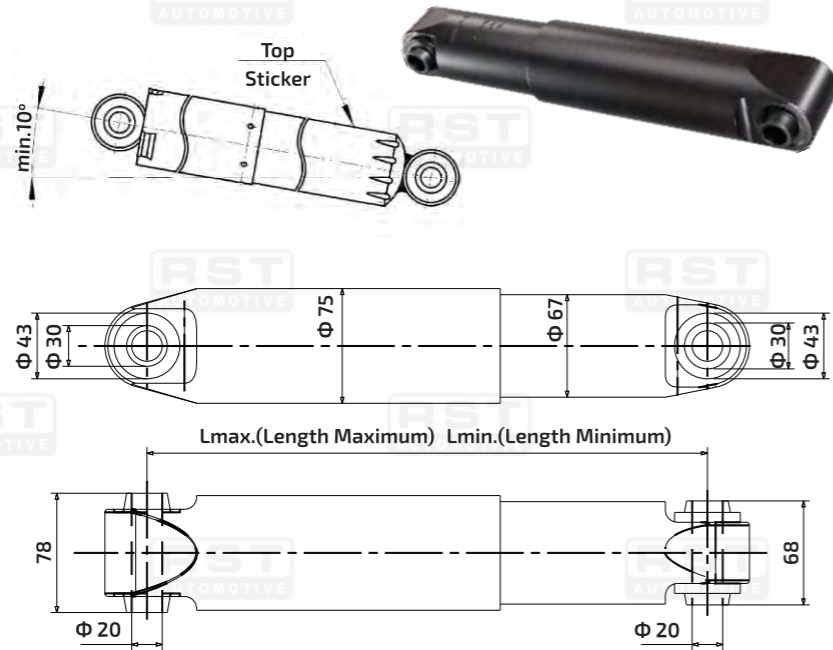
BOTTOM VIEW



► Intra Suspension Spare Parts

Shock Absorber

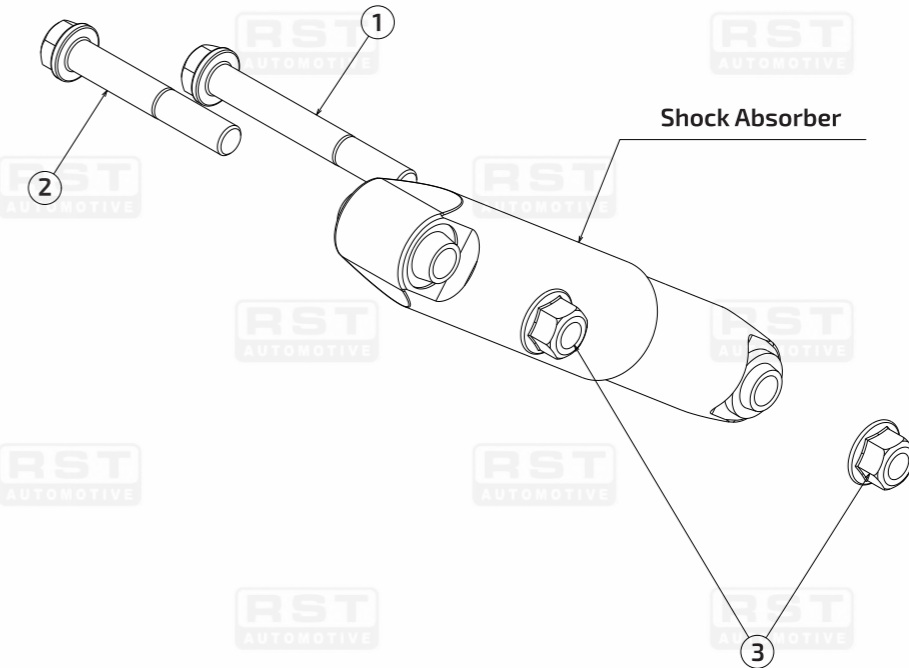
Type	Product No.
5502	21990010076
5504	2190010054
5506	21990010129



Technical Specification Table No.13

Shock absorber Type	Lmax (mm)	Lmin(mm)	Stroke(mm)
5502	413	278	135
5504	491	315	176
5506	532	335	197

► Schematic Diagram of Shock Absorber – Intra Suspension System



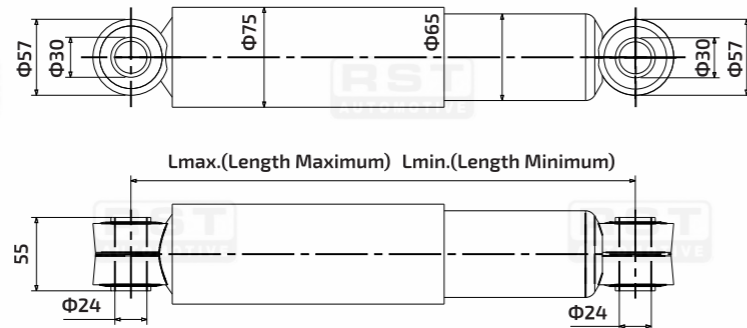
Technical Specification Table No.14

Item	Part name	Product No.	Technical characteristics
1	Screw (Intra Bolt)	23130110006	M20 x 1.5 x 160
2	Screw (Hanger Bracket)	23130110007	M20 x 1.5 x 130
3	Lock nut	23140010005	M20 / SW 30

► Trailing Arms Suspension Spare Parts

Shock Absorber

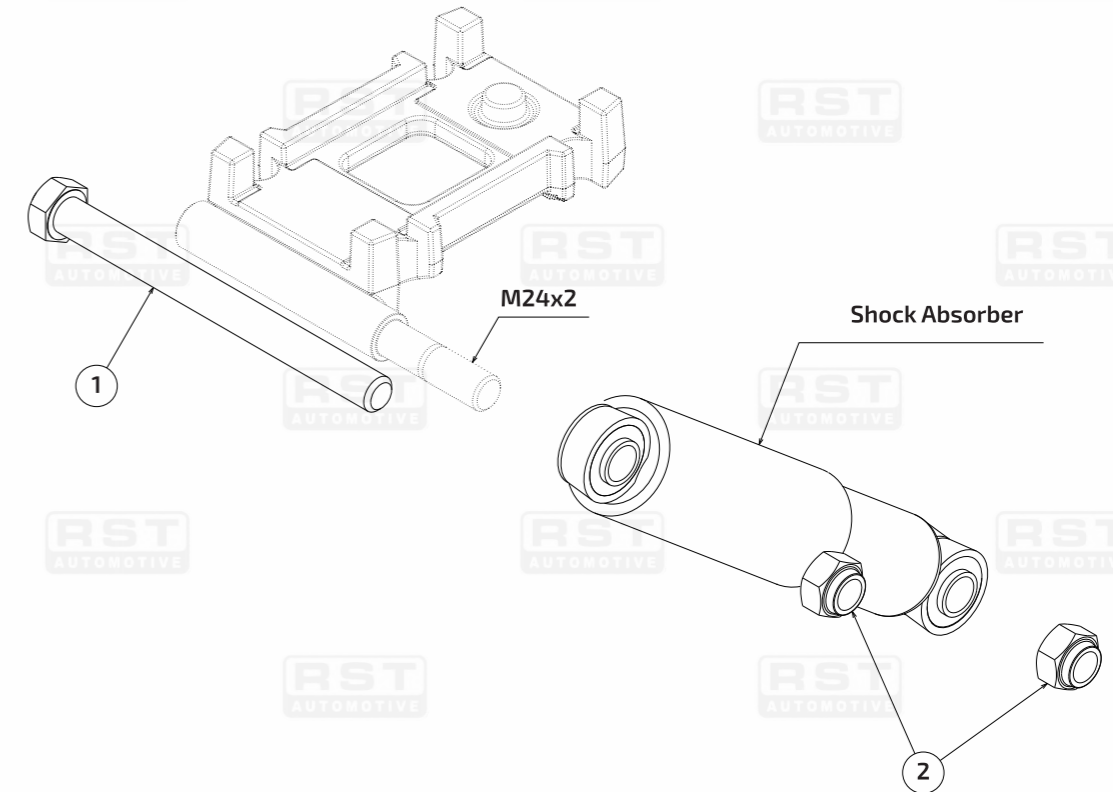
Type	Product No.
5517	21990010036
5519	21990010180



Technical Specification Table No.15

Shock absorber Type	Lmax (mm)	Lmin(mm)	Stroke(mm)
5517	495	325	170
5519	430	290	140

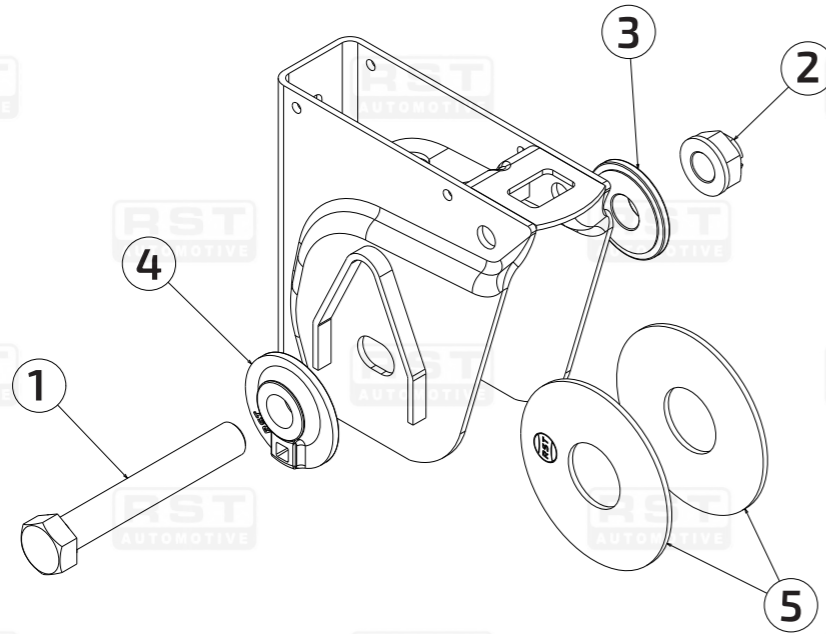
► Schematic Diagram of Shock Absorber – Suspension System – Trailing Arms



Technical Specification Table No.16

Item	Part name	Product No.	Technical characteristics
1	Screw (Hanger Bracket)	23130110024	M24 x 3 / L = 270
2	Lock nut	23140010010	M24 x 3 / Sw36

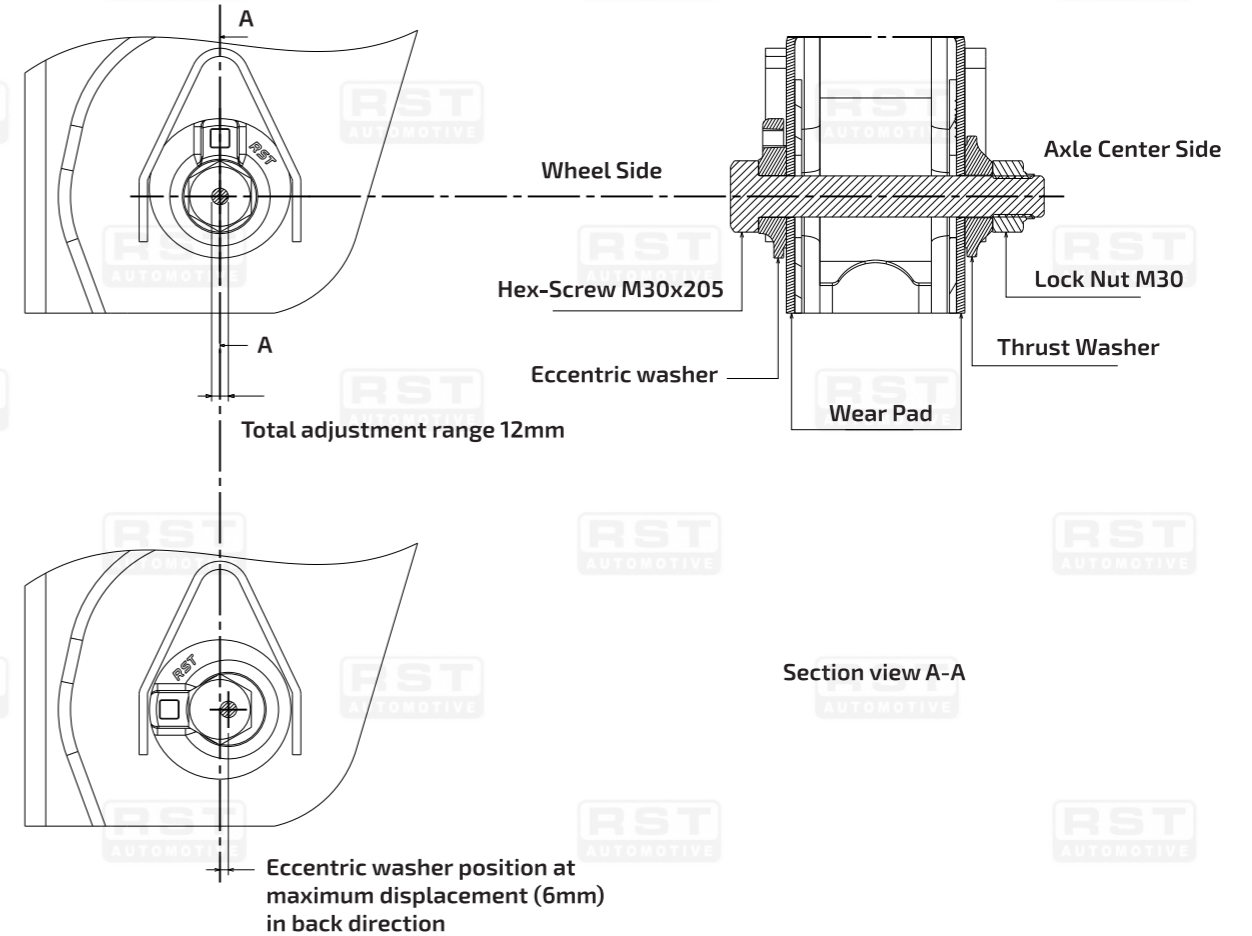
► Exploded View of Hanger Bracket Type S



Technical Specification Table No.17

Item	Part name	Product No.	Technical characteristics
1	Hex Screw	23130110005	M30 x 3.5 / L = 205
2	Lock nut	23140010004	M30 x 3.5 / SW = 46
3	Thrust Washer	41990010027	Casting piece
4	Eccentric Washer	41990010028	Casting piece
5	Wear Pad	41150010003	-

► Schematic Diagram of Intra Suspension Hanger



Wheel Side

Axle Center Side

Hex-Screw M30x205

Lock Nut M30

Eccentric washer

Thrust Washer

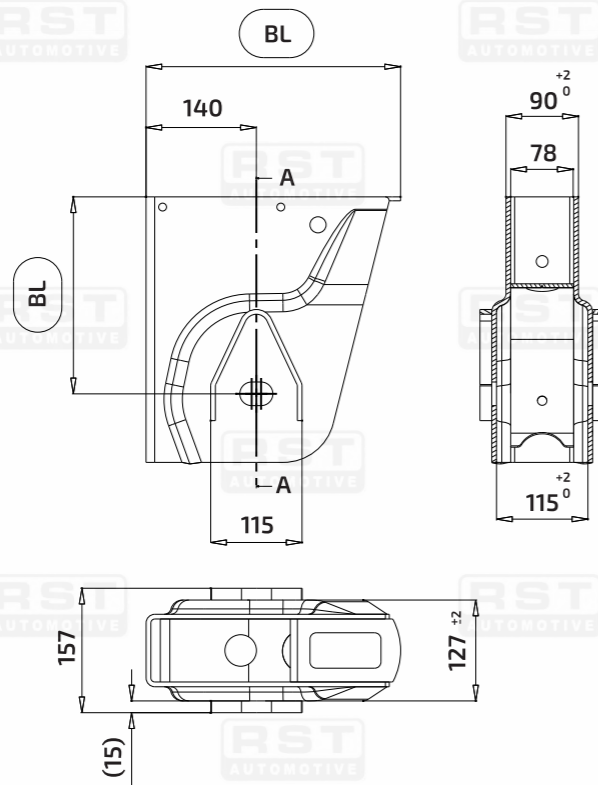
Wear Pad

Total adjustment range 12mm

Section view A-A

Eccentric washer position at maximum displacement (6mm) in back direction

► Schematic Diagram of Intra Suspension Hanger Bracket



Technical Specification Table No.18

Dimension Table

BH(mm)	BL(mm)
200	310
250	323
300	337
350	350

► Intra Suspension Hanger Brackets

Hanger Bracket Type S-Intra 250

Product NO.:41540020002



HangerBracketTypeS-Intra200

Product NO.:41540020004



Hanger Bracket Type S-Intra 350

Product NO.:41540020013



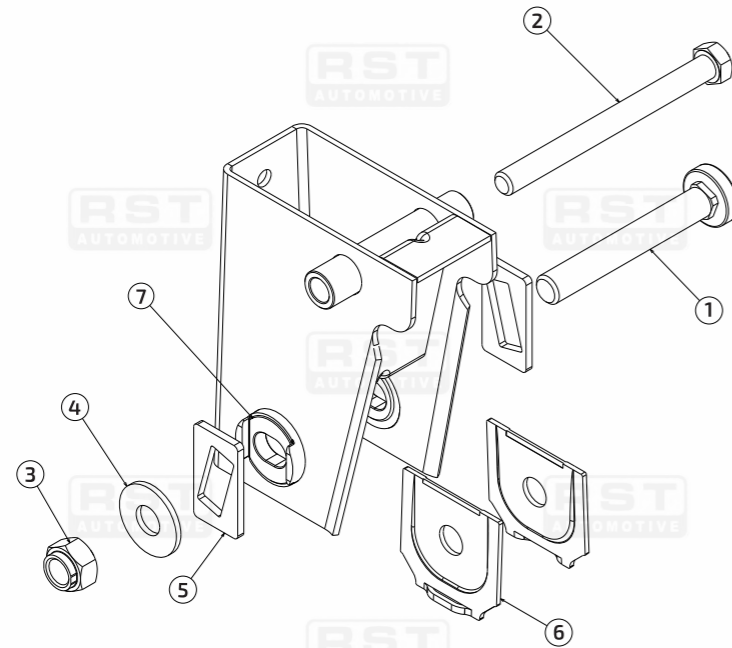
Hanger Bracket Type S-Intra 300

Product NO.:41540010014



► Exploded View of Intra Suspension Hanger Bracket Type B

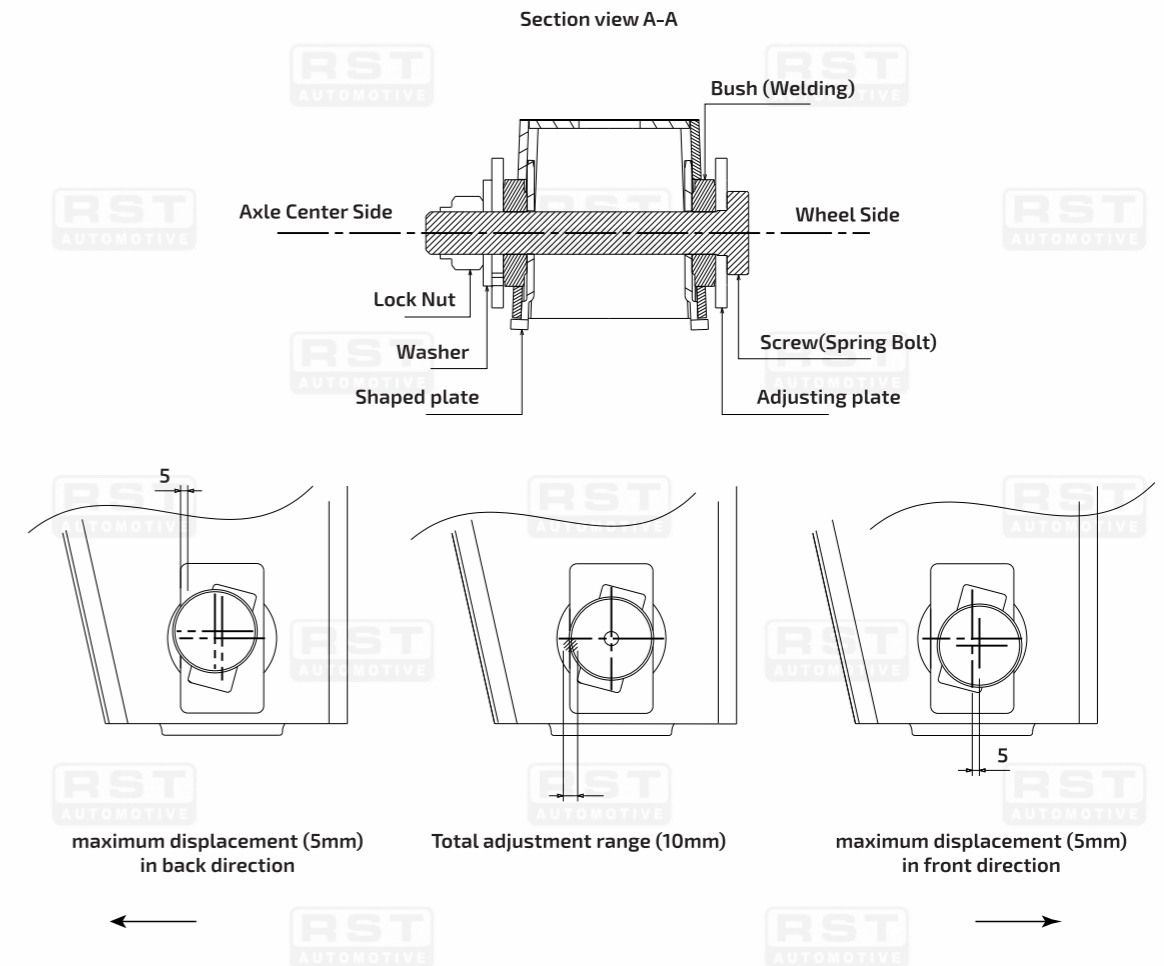
Hanger Bracket Type B (268)-(For Trailing Arms Axle - W=100)



Technical Specification Table No.19

Item	Part name	Product No.	Technical characteristics
1	Screw (Spring Bolt)	21540010001	M30 x 3.5 / L = 210
2	Screw (Shock Absorber Bolt)	23130110024	M24 x 3 / L = 270
3	Lock nut	21140010005	M30 x 3.5 / SW46
4	Washer	41150110001	Ø 31 / 75 x 6
5	Plate (adjusting plate)	41540010010	Ø 30 / 104 x 58 x 8
6	Shaped plate	41540010009	Ø 30 / straight hanger bracket
7	Bush	41990010063	Ø 30 / 55 / 76 x 24

► Schematic Diagram of Intra Suspension Hanger Bracket

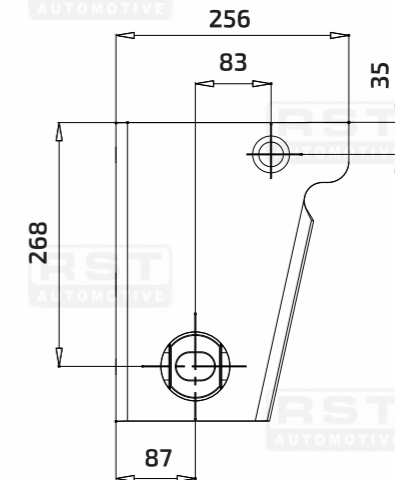
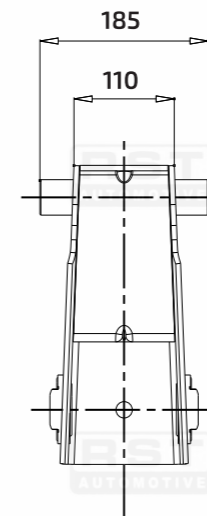




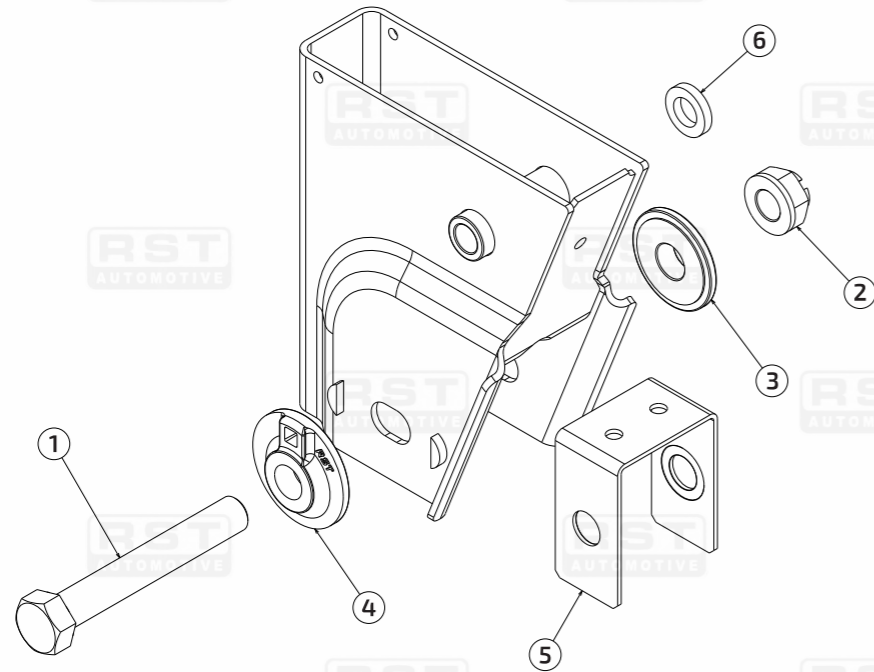
▶ Trailing Arms Suspension Spare Parts

Hanger Bracket Type B(268)-(For Trailing Arms Axle - W=100)

Product No. : 41540020006

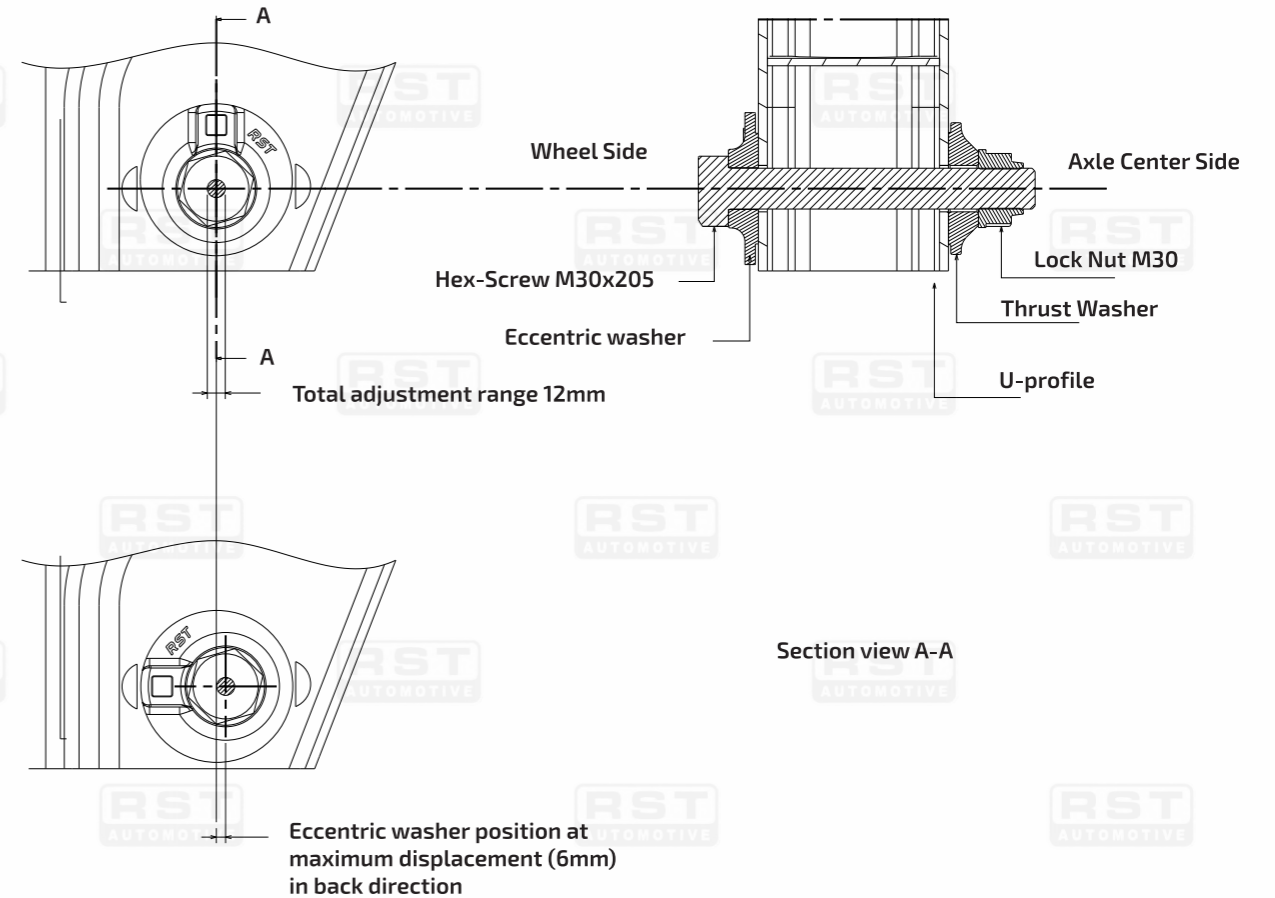


► Exploded View of Hanger Bracket Type S (Trailing Arms)



Technical Specification Table No.20

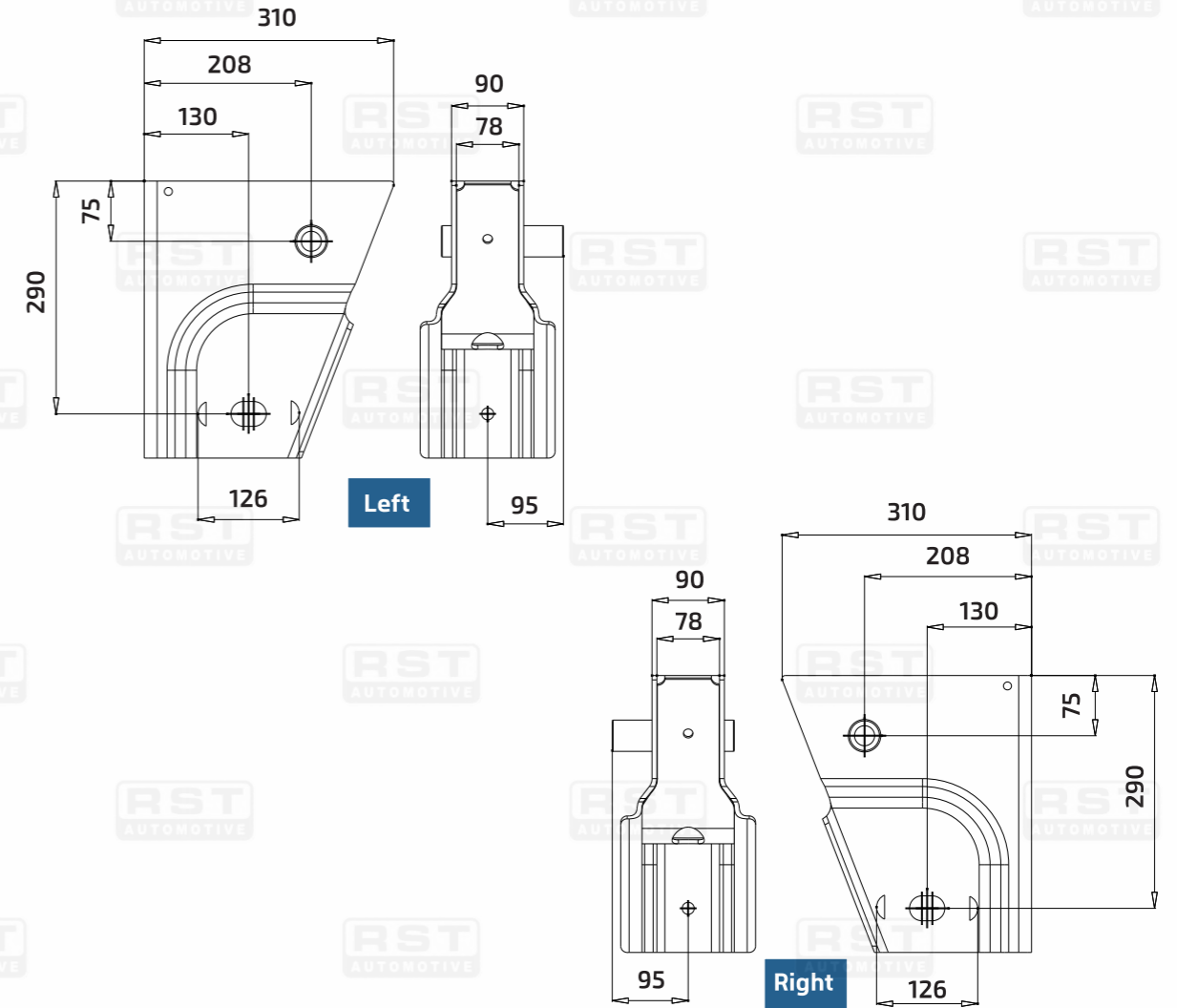
Item	Part name	Product No.	Technical characteristics
1	Hex Screw	23130110005	M30 x 3.5 / L = 205
2	Lock nut	23140010004	M30 x 3.5 / Sw46
3	Thrust Washer	41990010027	Casting piece
4	Eccentric Washer	41990010028	Casting piece
5	U-Profile	41540010019	-
6	Washer	23150110021	Ø26 / 44 / 8



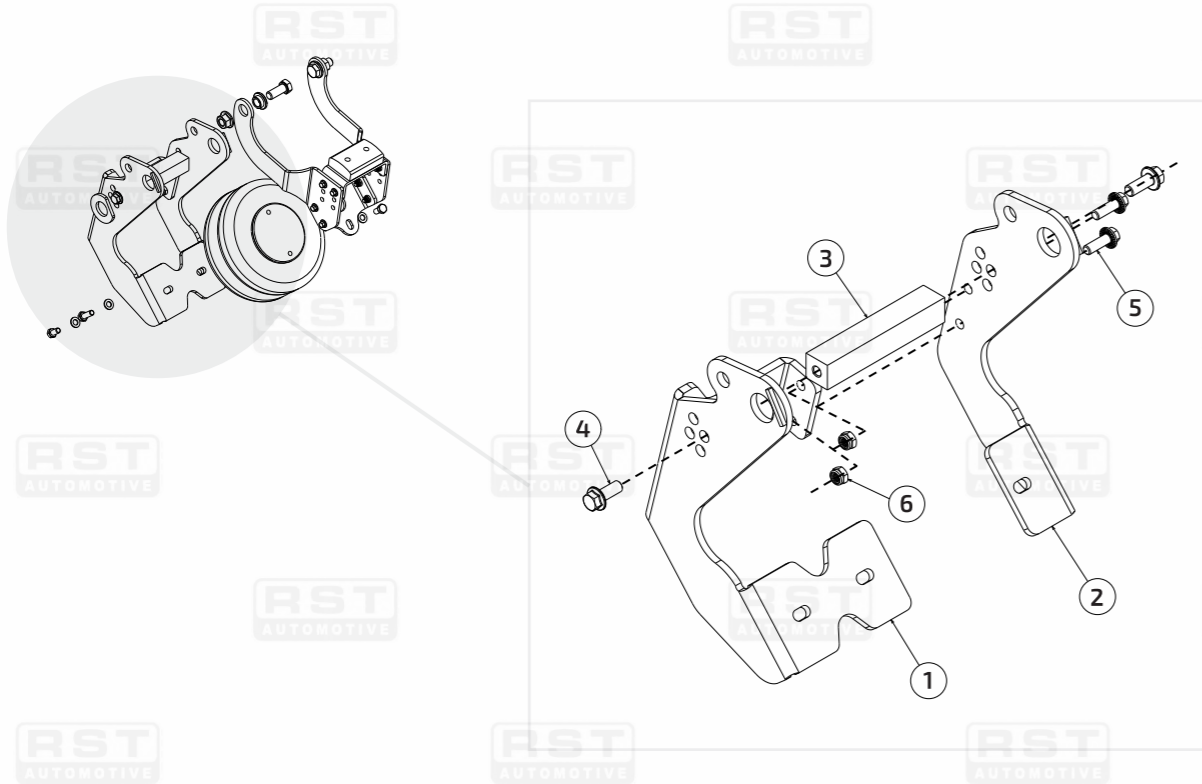
► Trailing Arms Suspension Spare Parts

Hanger Bracket Type S290 (For Trailing Arms Axle - W=100)

Product No.: 41540020011/41540020012



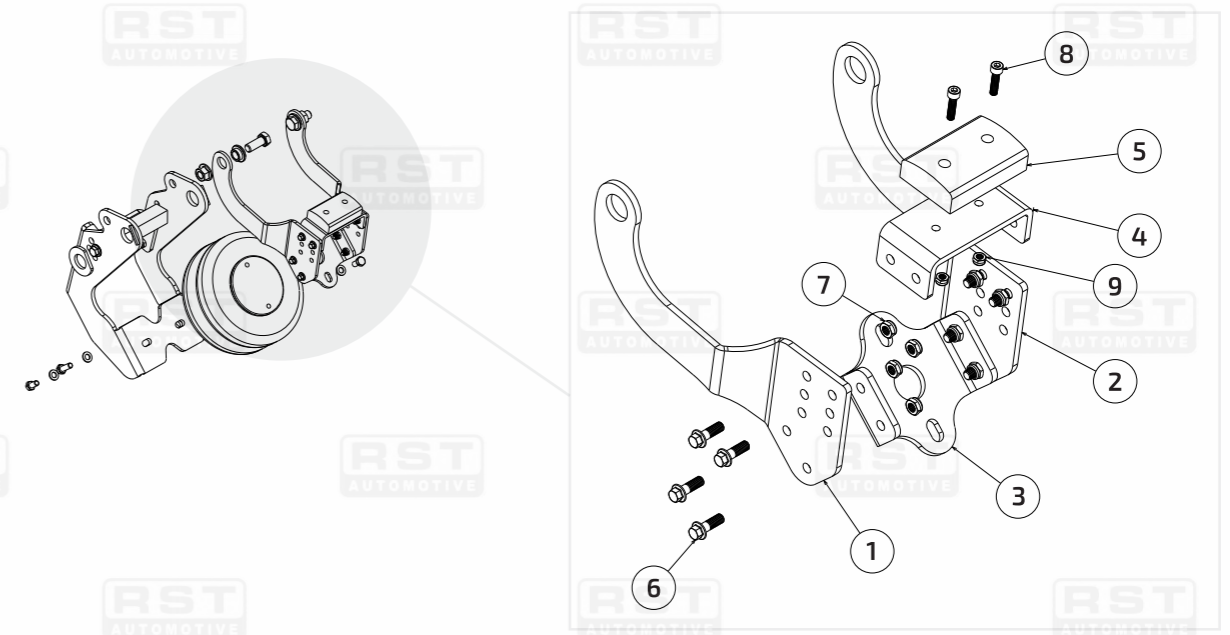
► Exploded View of Leaf Spring Lift Axle Kit (Left Side)



Technical Specification Table No.21

Item	Part name	Product No.	Per Kit	Technical characteristics
1	Liftarm Left	41550020015	x1	
2	Liftarm Right	41550020014	x1	
3	Support bar	41990010189	x1	
4	Screw	23130110013	x2	M12 x 1.5 x 30 / SW17
5	Hexagon screw with flange	23130110010	x2	M10 x 1.5 x 30 / SW14
6	Lock Nut	23140010006	x2	M10 x 1.5 x 10 / Sw17

► Exploded View of Leaf Spring Lift Axle Kit (Right Side)



Technical Specification Table No.22

Item	Part name	Product No.	Per Kit	Technical characteristics
1	Liftarm Left	41990010191	x1	
2	Liftarm Right	41990010190	x1	
3	Support (Down)	41990010192	x1	
4	Support (Up)	41990010193	x1	
5	Bumper	21990010115	x1	
6	Screw	21130110001	x8	M8 x 1.25 / L = 25
7	Lock Nut	21140010014	x8	M8 x 1.25
8	Screw	21550010002	x2	M6 x 25
9	Lock Nut	21140010007	x2	M6 / Sw10

► Suspension System Spare Parts

Axle Lift (For Trailing Arms Axle)

Product No. : 41550020011

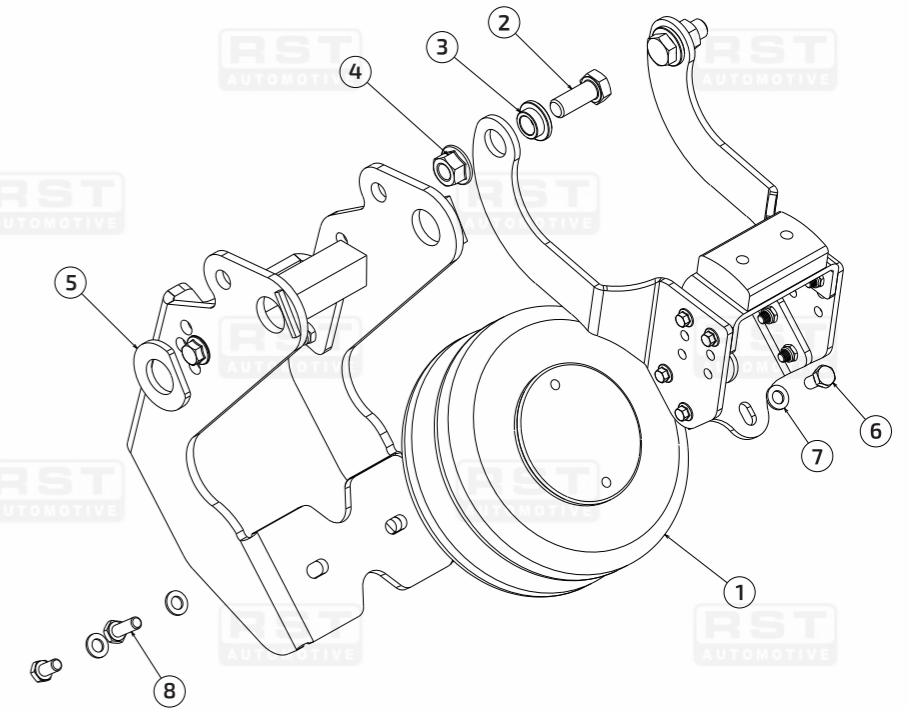


Front view



Back view

► Exploded View of Suspension System Spare Parts



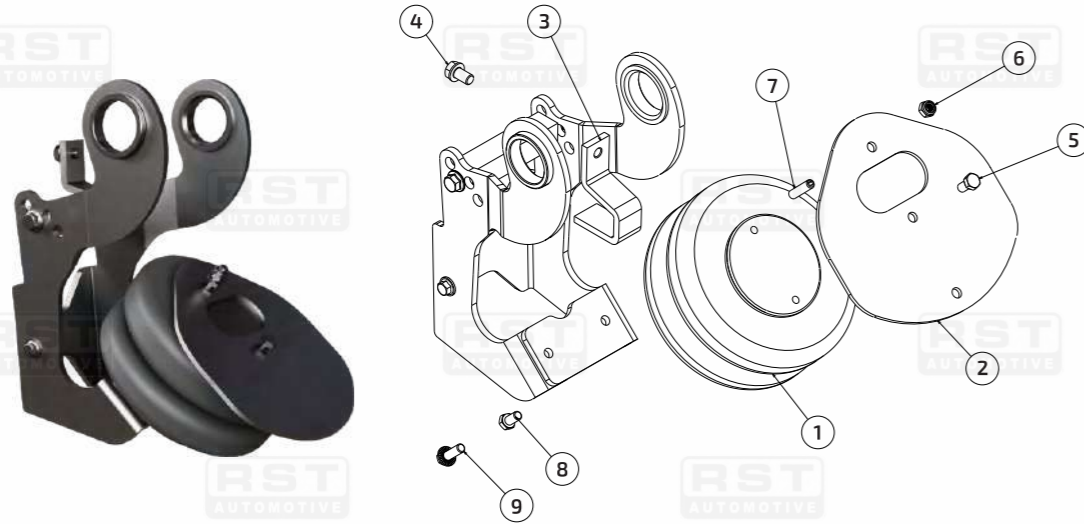
Technical Specification Table No.23

Item	Part name	Product No.	Per Kit	Technical characteristics
1	Lift air spring	21990010003	x1	
2	Screw	21130110014	x2	M16 x 2 / L = 40 / Sw24
3	Bush	41550010017	x2	D = 34 / d = 16.5 / L = 12
4	Nut	21140010012	x2	M16 x 2 / L = 16 / Sw24
5	Washer	41150110002	x1	D = 60 / d = 31
6	Screw	21130110007	x3	M10 / L = 20
7	Flat washer	23150110031	x4	D = 20 / d = 11
8	Screw	23130110047	x1	M10 / L = 30 / Sw17

► Exploded View of Suspension System Spare Parts

Axle Lift (For Intra Axle)

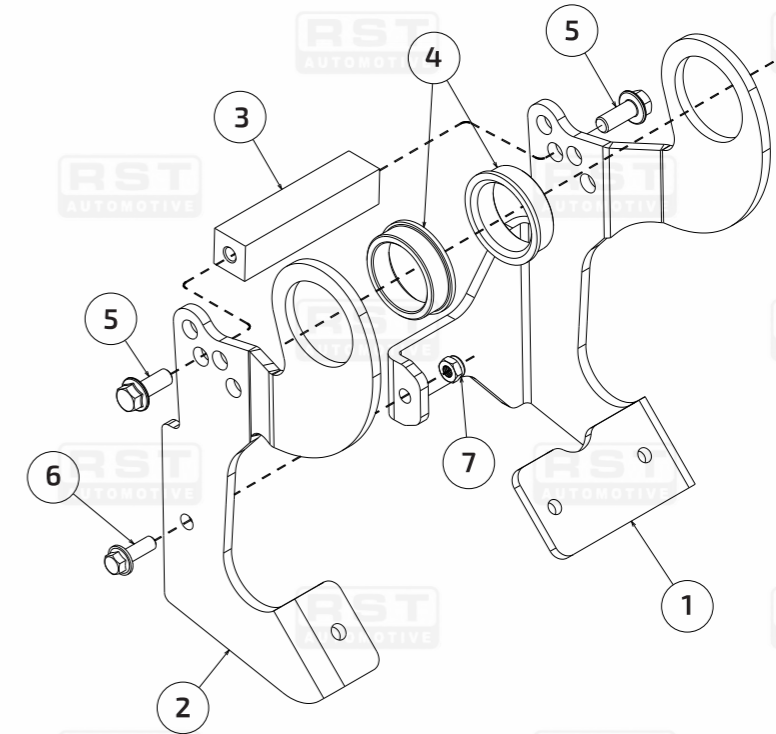
Product No.:41550020001



Technical Specification Table No.24

Item	Part name	Product No.	Per Kit	Technical characteristics
1	Lift air spring	21990010003	x1	-
2	Protection plate	41990010005	x1	-
3	Hook	41990010004	x1	-
4	Screw	23130110004	x1	M12 x 1.5 x 20
5	Screw	21130110007	x1	M10 x 20
6	Lock nut	23140010006	x1	M10 x 1.5 / SW17
7	Threaded bolt	23130410009	x1	M10 x 1.5 x 40 / SW15
8	Screw	21130110007	x1	M10 x 20
9	Hexagon screw with flange	23130110010	x1	M10 x 1.5 x 30 / Sw14

► Exploded View of Suspension System Spare Parts



Technical Specification Table No.25

Item	Part name	Product No.	Per Kit	Technical characteristics
11	Liftarm right	41990010031	x1	-
2	Liftarm left	41990010030	x1	-
3	Support bar	41990010032	x1	-
4	Bush(Washer)	41990010040	x2	-
5	Hexagon screw with flange	23130110013	x2	M12 x 1.5 x 30 / SW=17
6	Screw	23130110010	x1	M10 x 1.5 x 30 / SW=14
7	Lock Nut	23140010006	1	M10 x 1.5 x 10 / SW=17

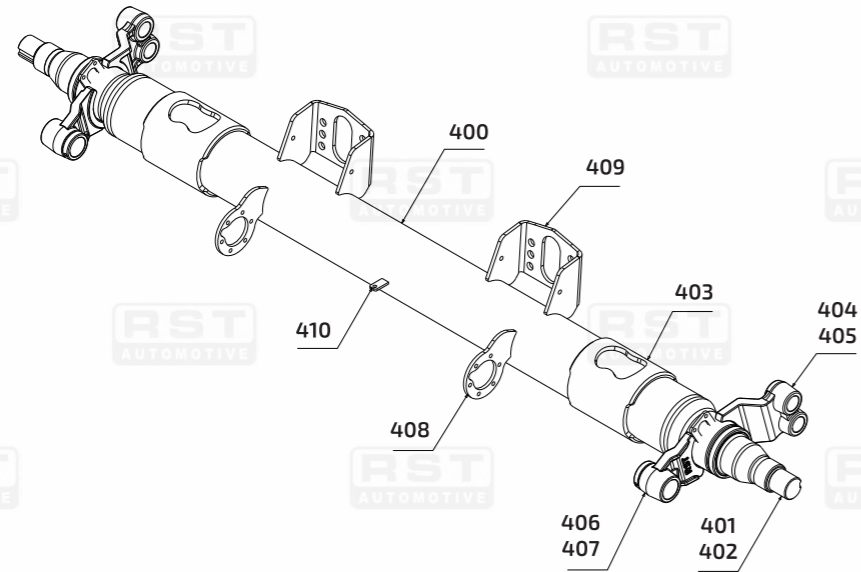


IV Axle Beam Attachment

Table of Contents

Axle Beam Assembly and Welded Parts (Intra Drum Brake)	98
Axle Beam Assembly and Welded Parts (Leaf Spring Drum Brake)	99
Axle Beam Assembly and Welded Parts (Leaf Spring Disc Brake)	100
Axle Beam Assembly and Welded Parts (Intra Disc Brake)	101
Pulley – B Type	102
Pulley – S Type	103
Trailing Arm – Drum Brake	104
Trailing Arm – Disc Brake	110

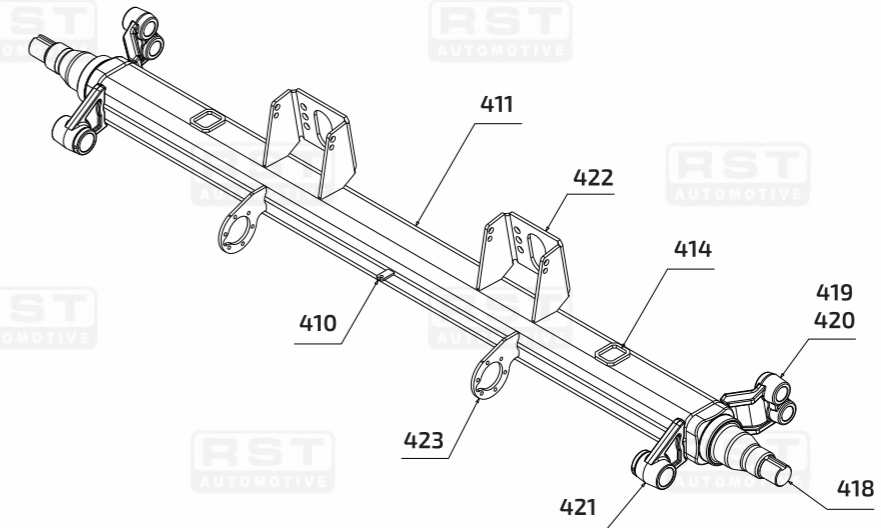
► Intra Drum Brake Axle Beam



Technical Specification Table No.26

Item	Part Name	Part Code	Technical characteristics
400	Axle Beam	31990010058	Ø148
401	Axle Stub Type B	31040910001	—
402	Axle Stub Type B	31041210006	—
403	Stiffner	41990010006	—
404	Brake anchor plate	41020510001	—
405	Brake anchor plate (Et120)	41022010001	—
406	Brake anchor plate	41020610001	—
407	Brake anchor plate (Et120)	41021910001	—
408	Support bearing box	41990010013	—
409	Air cylinder bracket	41100010001	—
410	Attachment Air Suspension valve	41990010014	—

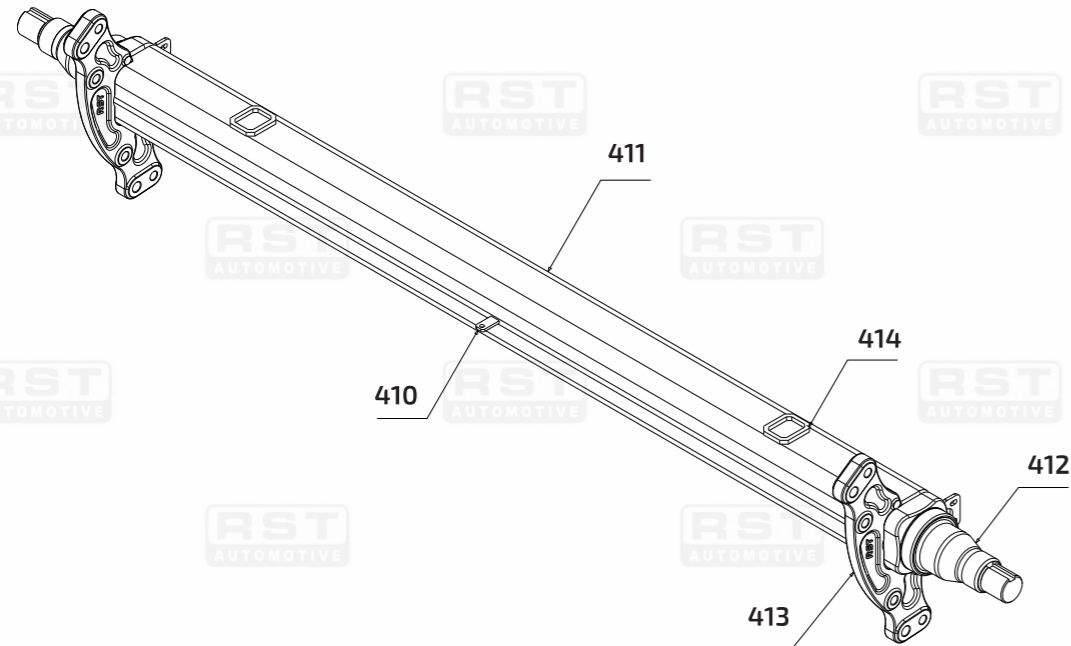
► Drum Brake Axle Beam With Leaf Spring



Technical Specification Table No.27

Item	Part Name	Part Code	Technical characteristics
410	Attachment Air Suspension valve	41990010014	—
411	Axle Beam	41990010202	□ 120
414	Centering frame (for clamped spring seat arrangement)	41990010059	—
418	Axle Stub	31040810005	—
419	Brake anchor plate	41021510001	—
420	Brake anchor plate (Et120)	Left:41022210001	—
		Right:41022110002	
421	Brake anchor plate	Left:41021810001	—
		Right:41021610001	
422	Air cylinder bracket	41990010157	—
423	Support bearing box	41990010156	—

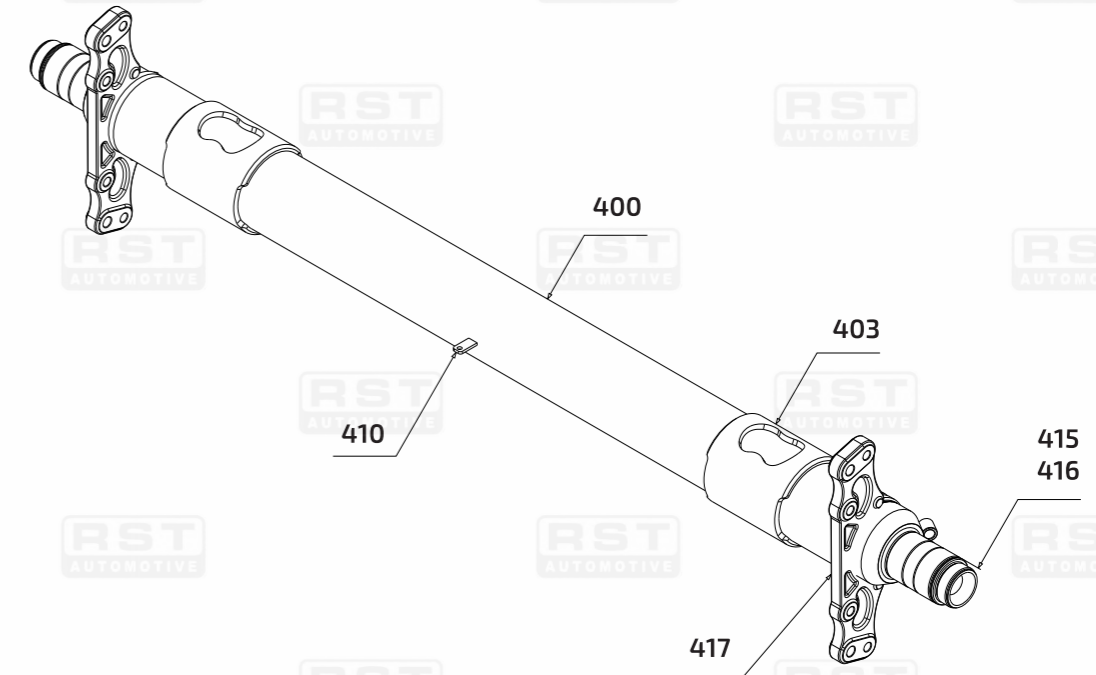
► Disk Brake Beam With Leaf Spring



Technical Specification Table No.28

Item	Part Name	Part Code	Technical characteristics
410	Attachment Air Suspension valve	41990010014	—
411	Axle Beam	31990010202	□ 120
412	Axle Stub	31040810005	—
413	Disk Brake anchor plate	41021310001	—
414	Centering frame (for clamped spring seat arrangement)	41990010059	—

► Intra Disc Brake Beam



Technical Specification Table No.29

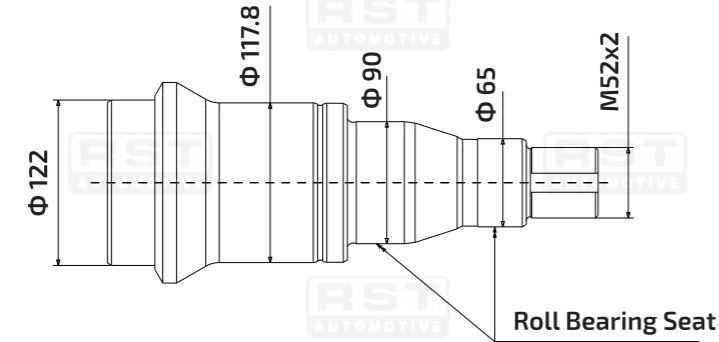
Item	Part Name	Part Code	Technical characteristics
400	Axle Beam	31990010200	Ø148
403	Stiffner	41990010006	—
410	Attachment Air Suspension valve	41990010014	—
415	Axle Stub Type S(Right)	31040410004	—
416	Axle Stub Type S(Left)	31040510005	—
417	Disk Brake anchor plate Types S	41022310001	—

► Axle Beam Mounted Spare Parts

Axle Stub Type B (Long)

Product No.: 31040910001

- Material: 26Mn5
- Weight: 19.7Kg



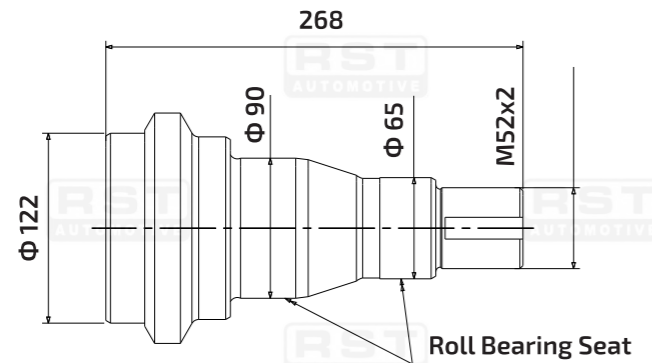
(For Axle Beam $\Phi 148$)



Axle Stub Type B (Short)

Product No.: 31041210006

- Material: 26Mn5
- Weight: 12.6Kg



(For Axle Beam $\Phi 148$)

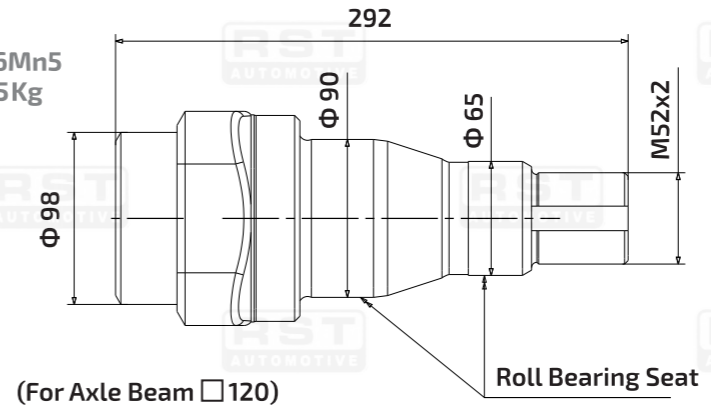


► Axle Beam Mounted Spare Parts

Axle Stub Type B

Product No. : 31040810005

- Material: 26Mn5
- Weight: 18.5Kg



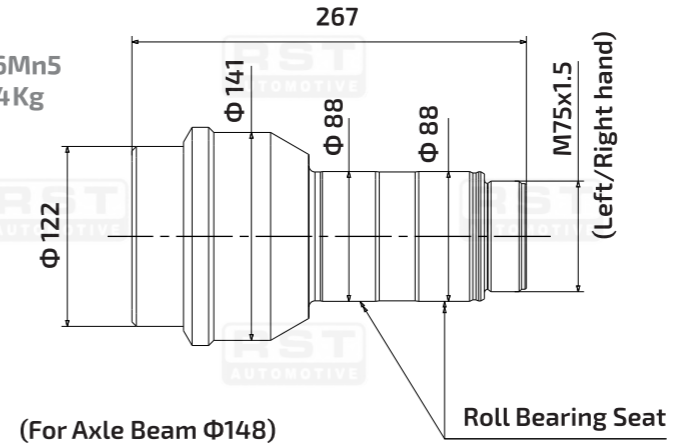
(For Axle Beam $\square 120$)



Axle Stub Type S (Left /Right Threaded)

Product No.: 31040510005/31040410004

- Material: 26Mn5
- Weight: 16.4 Kg



(For Axle Beam $\Phi 148$)

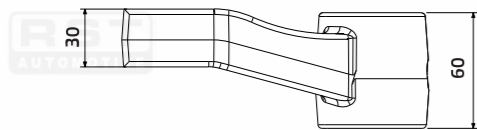
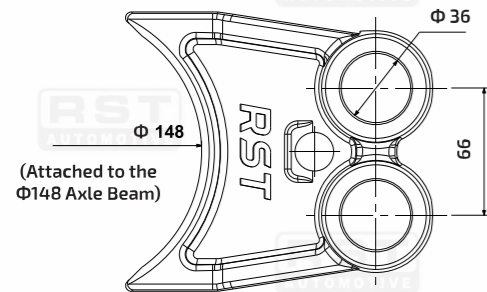


► Axle Beam Mounted Spare Parts

Brake anchor plate

Product No.: 41020510001

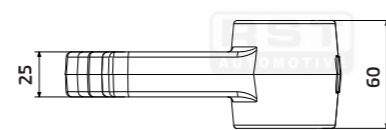
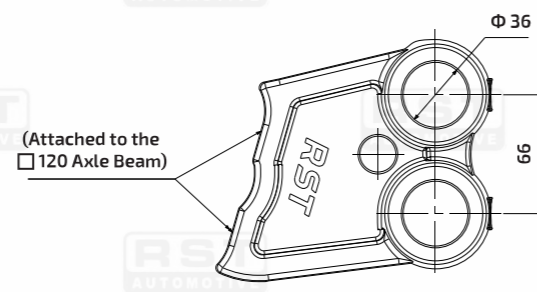
- Material: St.52
- Weight: 3.2Kg



Brake anchor plate

Product No. : 41021510001

- Material: St.52
- Weight: 2.7Kg

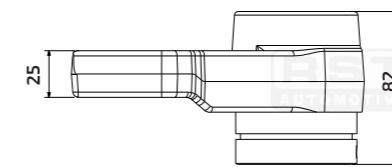
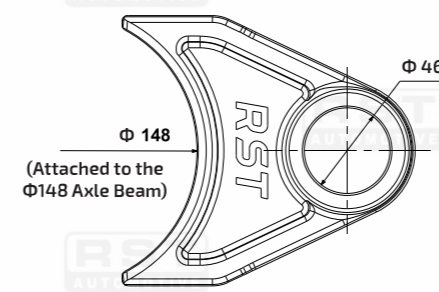


► Axle Beam Mounted Spare Parts

Brake anchor plate

Product No.: 41020610001

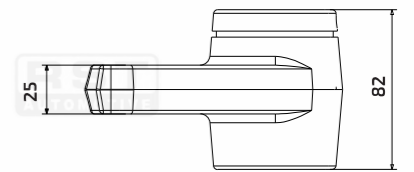
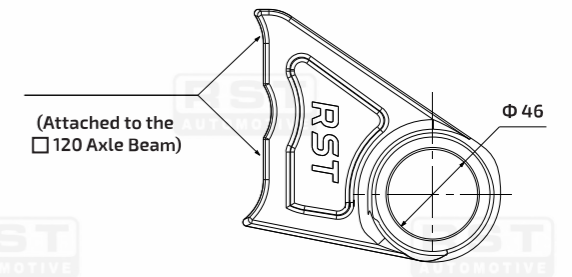
- Material: St.52
- Weight: 2.8Kg



Brake anchor plate

Product No. : 41021810001/41021610001

- Material: St.52
- Weight: 1.5Kg

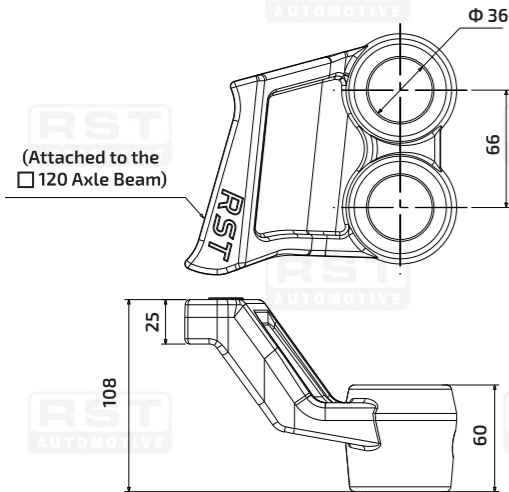


► Axle Beam Mounted Spare Parts

Brake anchor plate

Product No.: 41022110002/41022210001

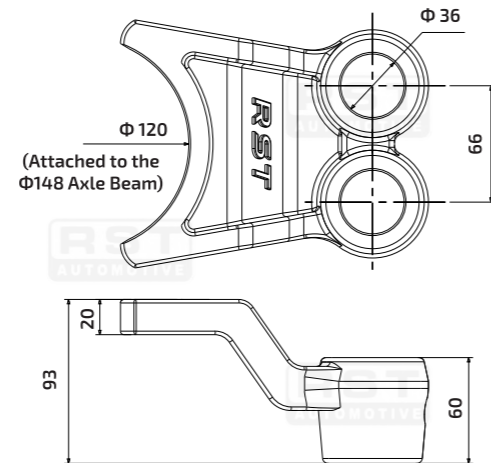
- Material: St.52
- Weight: 2.6Kg



Brake Anchore Plate (Et 120)

Product No. : 41022010001

- Material: St.52
- Weight: 3.3Kg

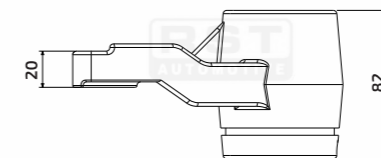
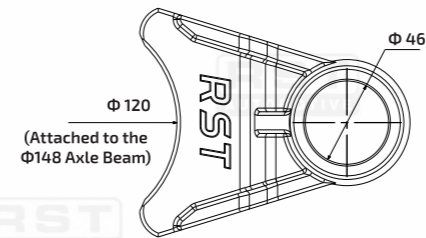


► Axle Beam Mounted Spare Parts

Brake Anchore Plate (Et 120)

Product No. : 41021910001

- Material: St.52
- Weight: 2.7Kg

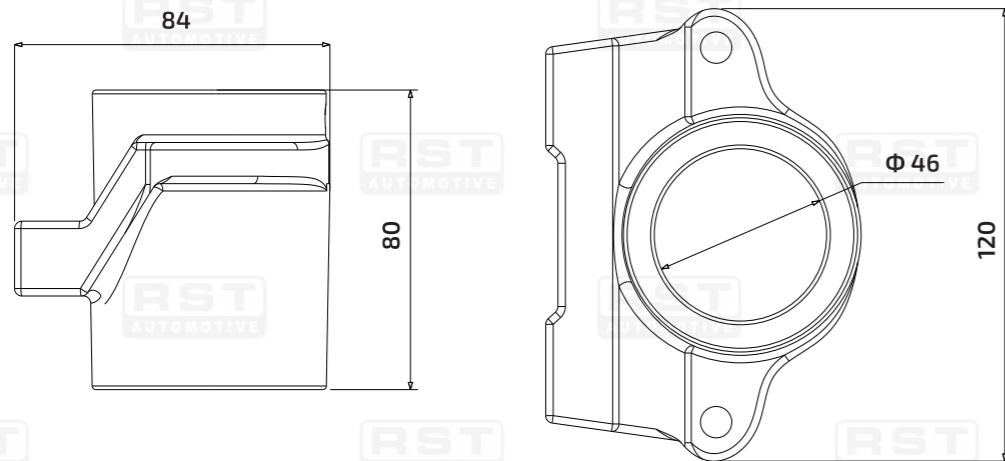


► Axle Beam Mounted Spare Parts

Brake Anchore Plate (3020)

Product No.: 41021110001

- Material: St.52
- Weight: 1.5Kg

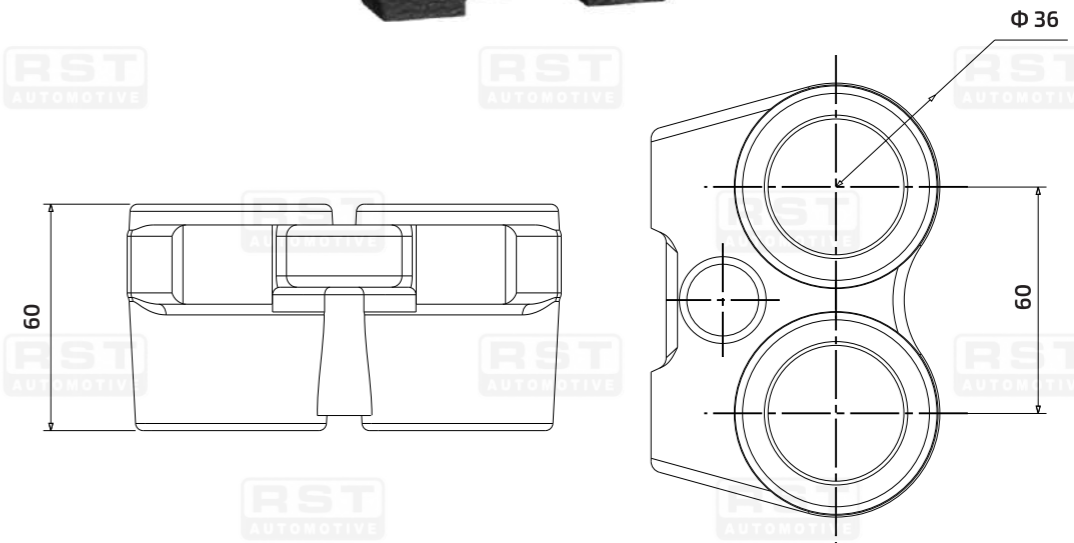


► Axle Beam Mounted Spare Parts

Brake Anchore Plate (3020)

Product No. : 41021210001

- Material: St.52
- Weight: 1.5Kg

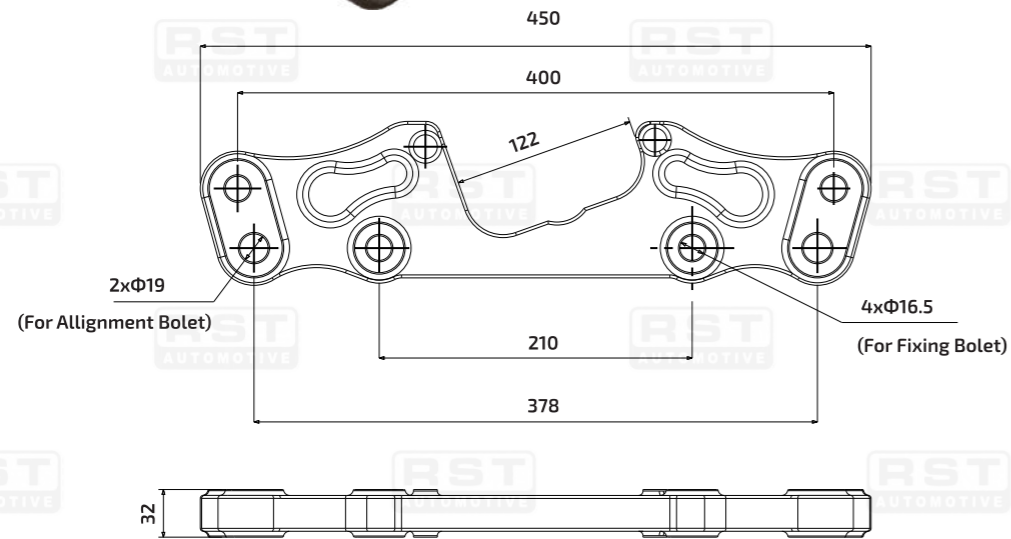


▶ Axle Beam Mounted Spare Parts

Disk Brake Anchore Plate

Product No.: 41021310001

- ▶ Material: St.52
- ▶ Weight: 7Kg

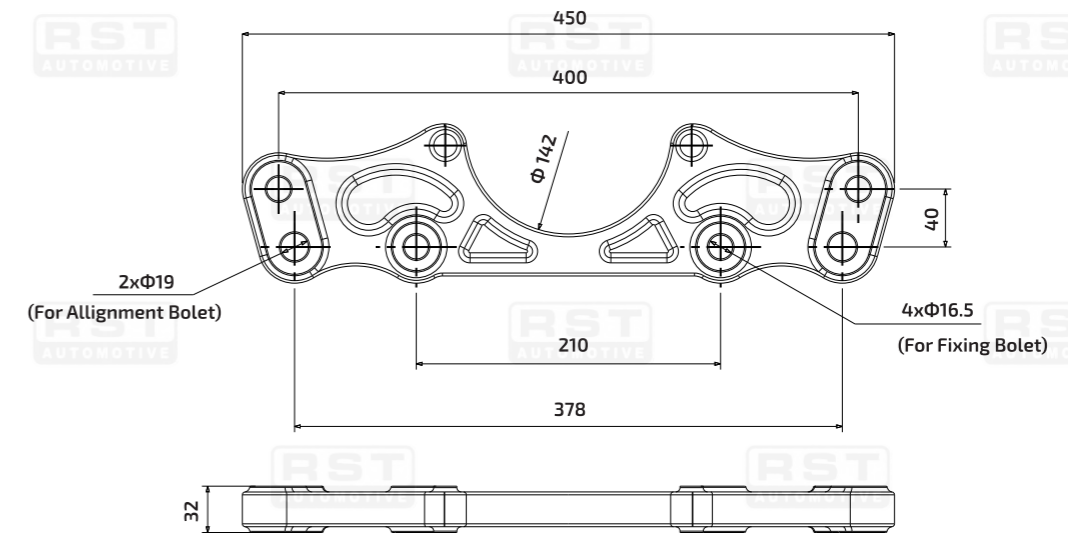


▶ Axle Beam Mounted Spare Parts

Disk Brake Anchore Plate

Product No. : 41022410001

- ▶ Material: St.52
- ▶ Weight: 5.7Kg





V Semi-Trailer Spare Parts

Table of Contents

Landing Leg	114
King Pin	120

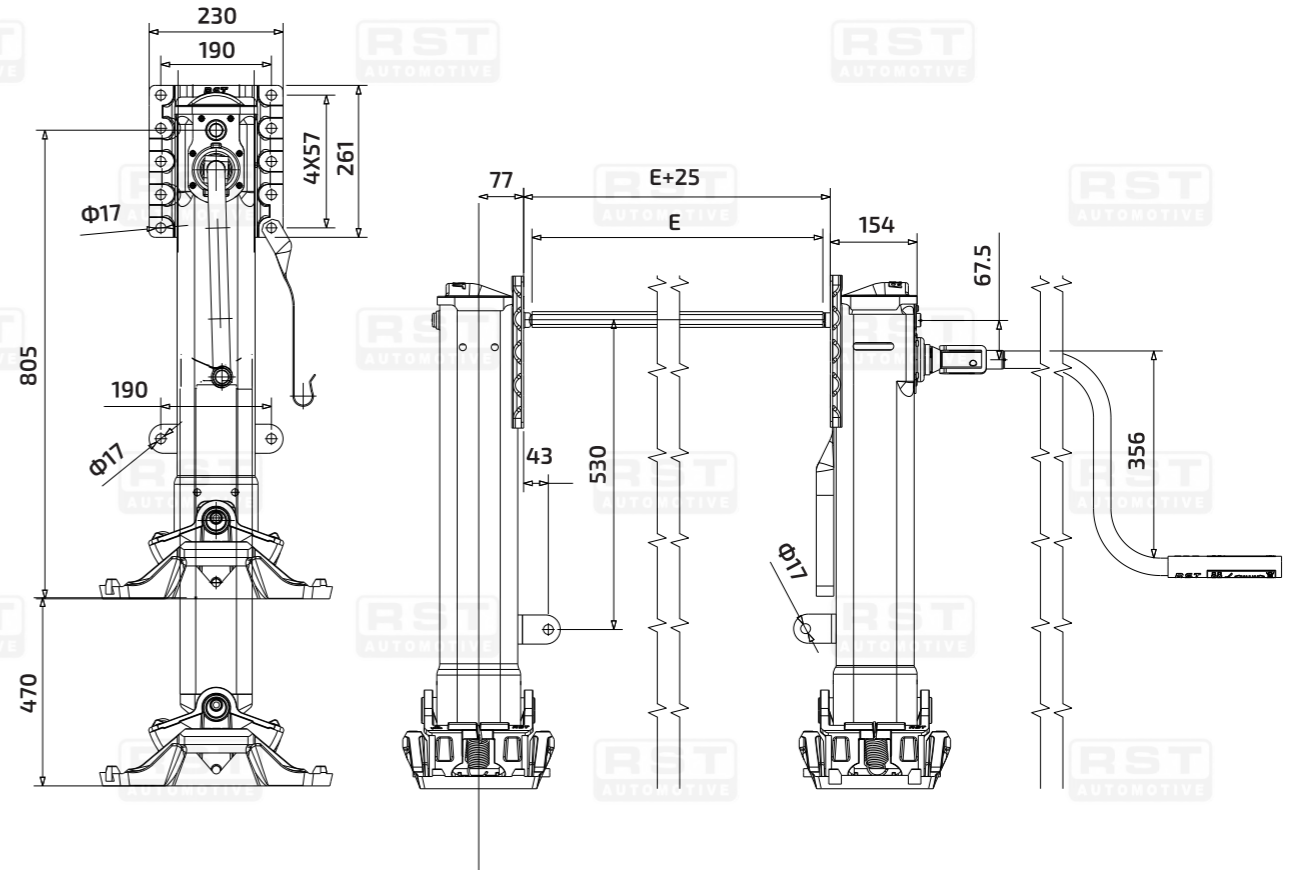
► Landing Gear Assembly and Accessories – Model B0301

Landing gear

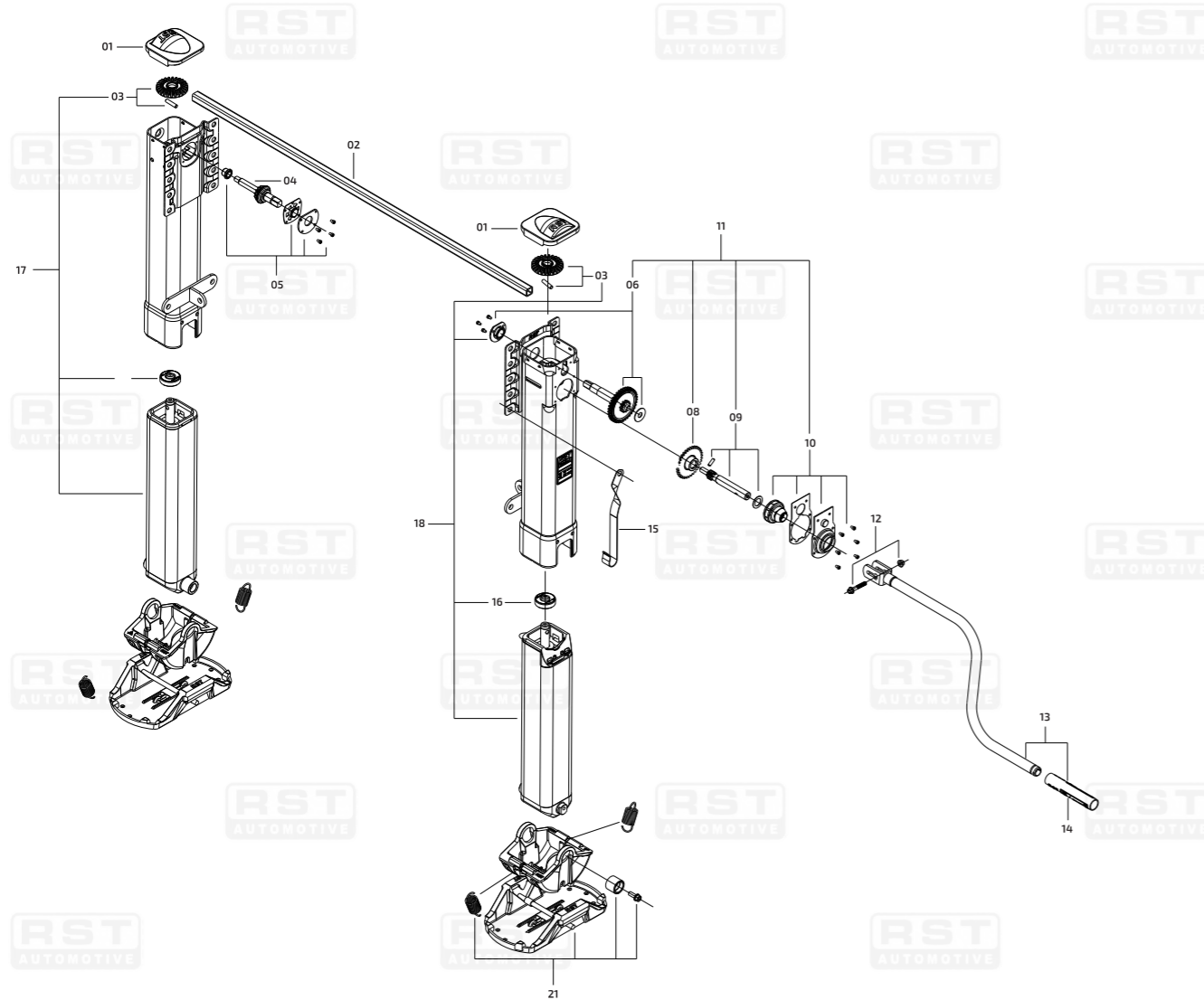
Product No.: 82560020001



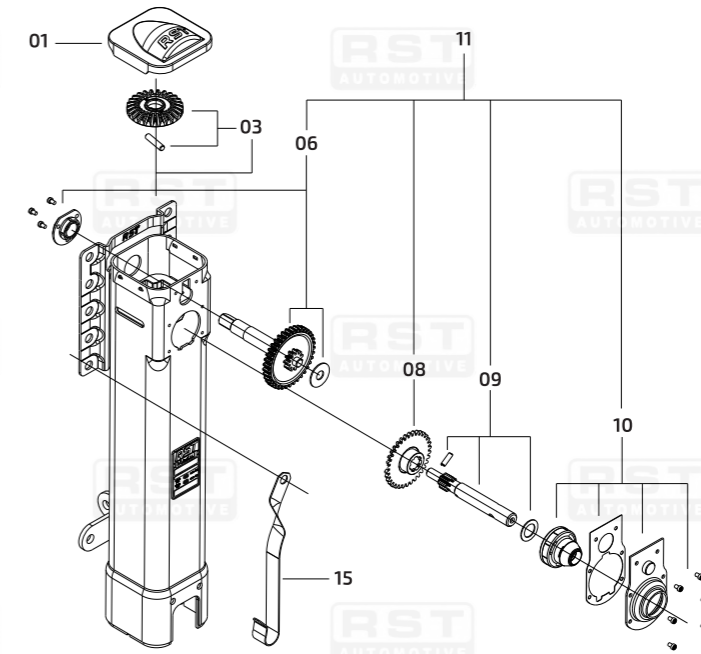
► Landing Gear Assembly and Accessories – Model B0301



► Exploded View of Landing gear



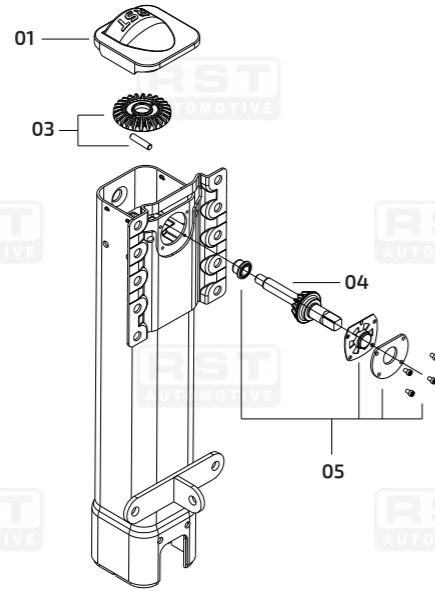
► LandingGearOuterAssembly – Right Side



Technical Specification Table No.30

Item	Part name	Product No.	Per Kit
02	Connection shaft	LG.0038.0	1
06	Shaft with bearing	LG.0007.0,48,30	1
08	Gear	LG.0006.0	1
09	Crank shaft	LG.0008.0,32,43	1
10	Bearing holder	LG.0017.0,51,20,48	1
11	Drive		
15	Crank parking hook holder	LG.0037.0	1

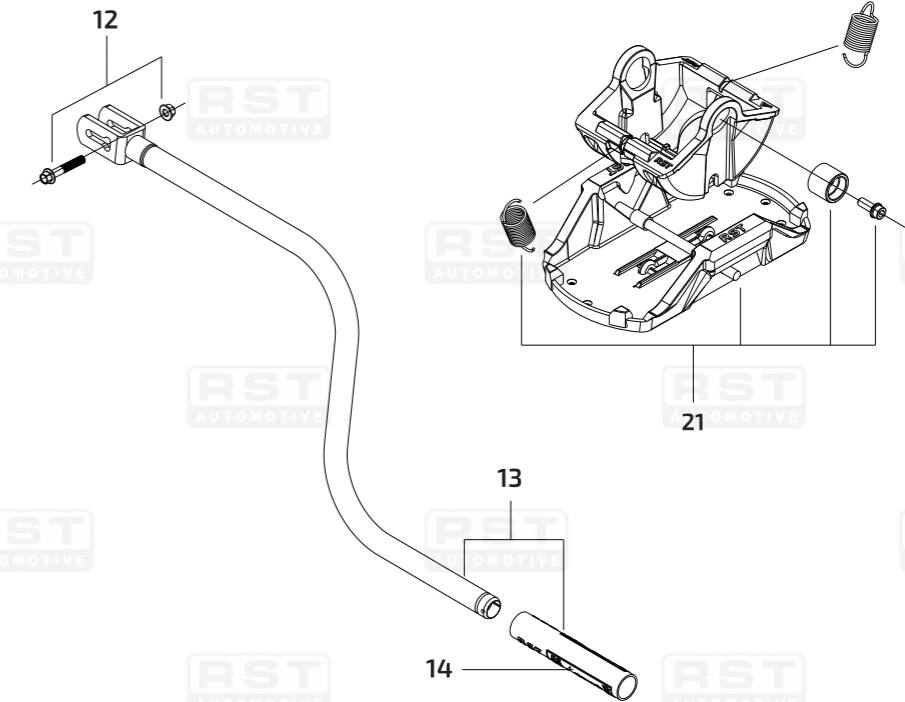
► Landing Gear Outer Assembly – Left Side



Technical Specification Table No.31

Item	Part name	Product No.	Per Kit
01	Cover	LG.0022.0	2
03	Bevel gear with pin	LG.0001.0,55	1
04	Shaft	LG.0002.0	1
05	Bearing	LG.0003.0,04,05	1
16	Axial bearing	LG.0033.0	2

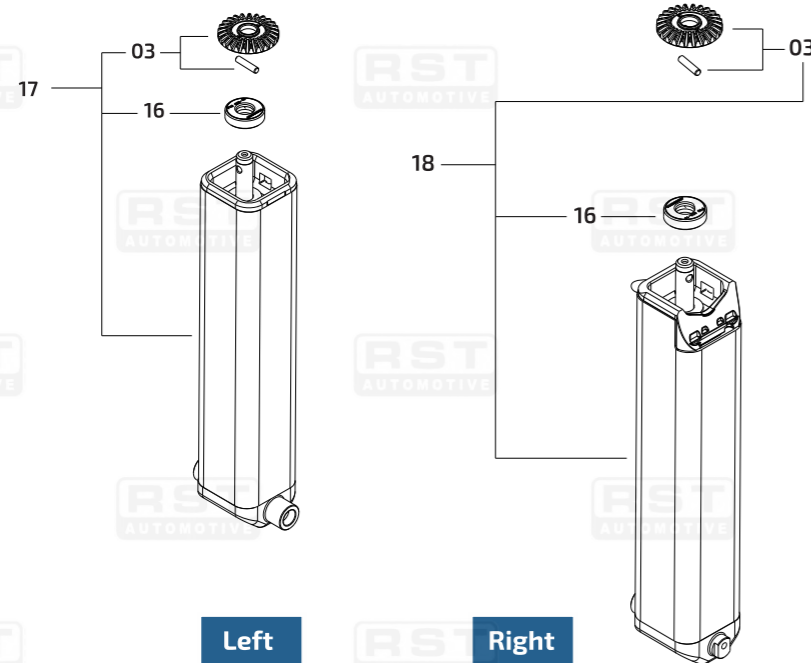
► Landing Gear Assembly and Accessories



Technical Specification Table No.32

Item	Part name	Product No.	Per Kit
12	Bolts, washers, nuts	LG.0049.0,50	1
13	Crank parking hook	LG.01.03.01.00.0	1
14	Crank bushing	LG.0035.0	1
21	S-Foot	LG.01.06.01.00.0	2

► Landing Gear Inner Assembly



Left

Right

Technical Specification Table No.33

Item	Part name	Product No.	Per Kit
03	Bevel gear with pin	LG.0001.0-55	1
16	Axial bearing	LG.0033.0	2
17	Inner tube l.	LG.01.01.04.00.0	1
18	Inner tube r.	LG.01.02.04.00.0	1

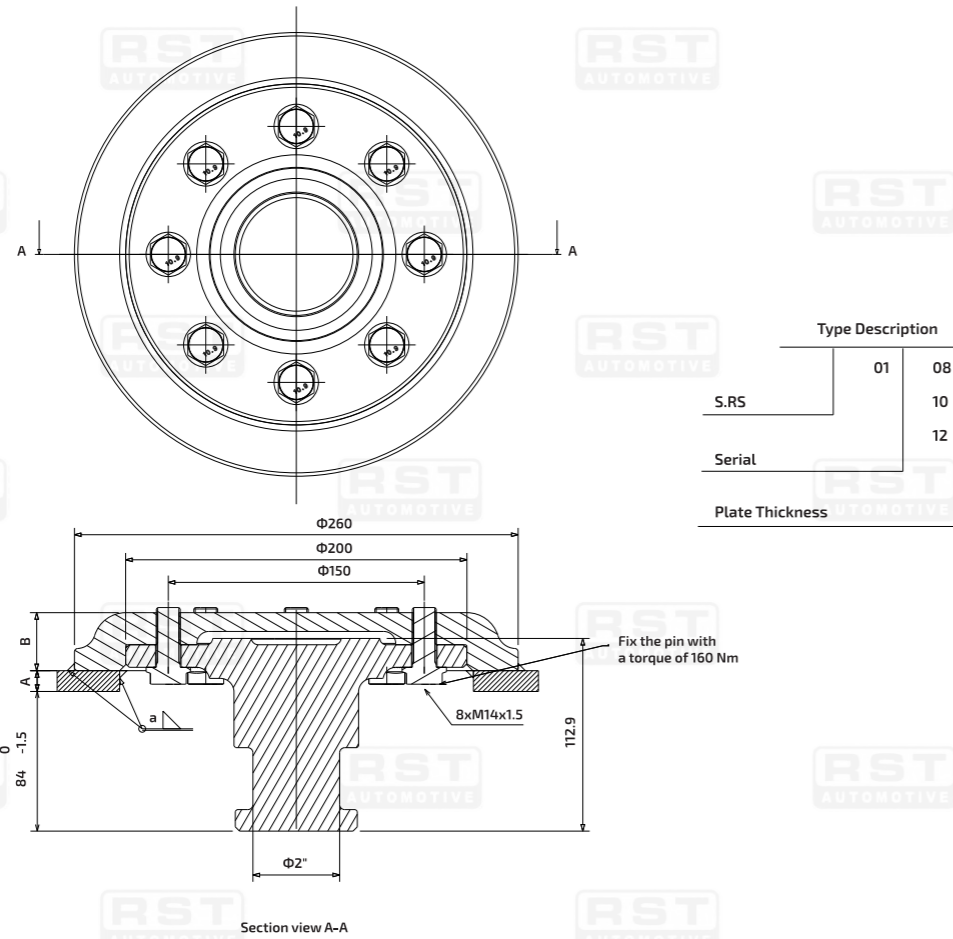
► King Pin Assembly and Accessories

King pin 2 inch

Product No.: 42050420002



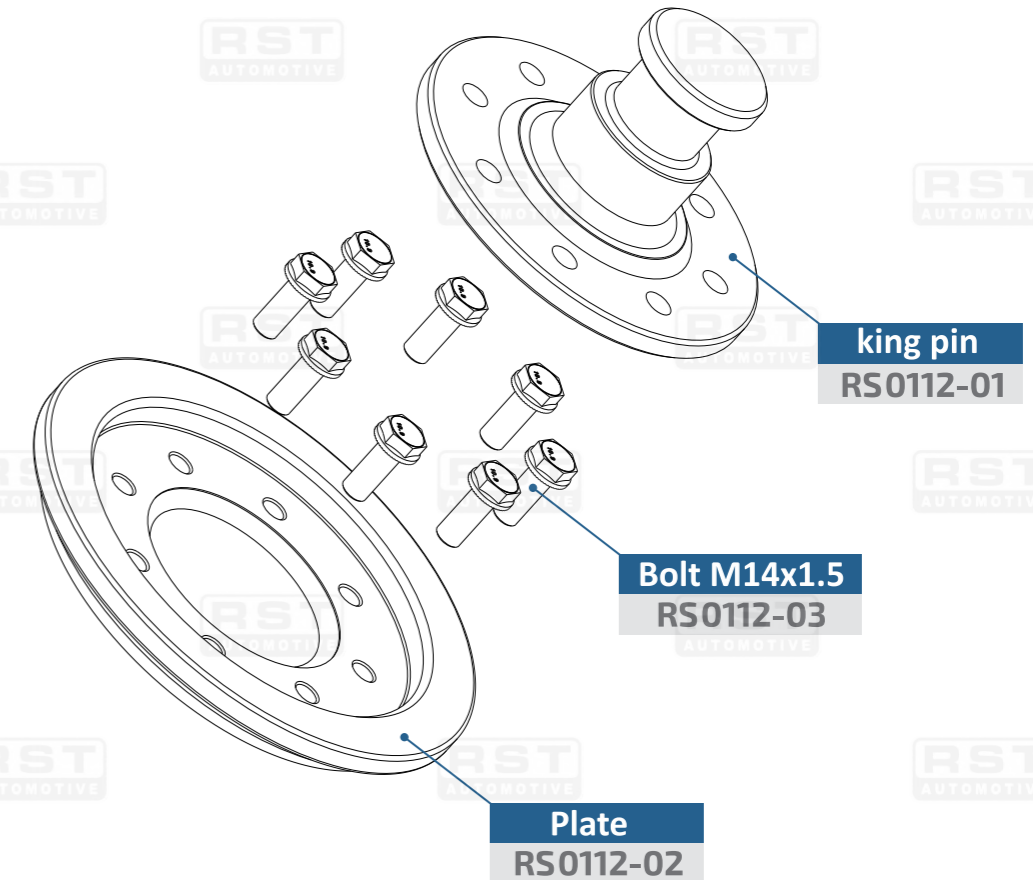
► Exploded View of King pin and Accessories



Technical Specification Table No.34

Part.No	D value(KN)	A	B
S.RS 0108	170	8	37
S.RS 0110	170	10	34
S.RS 0112	170	12	33

► Exploded View of King pin and Accessories



This page is intentionally left blank

Tables Index

Table No.1,2	Drum Brake Spare Parts	7,9
Table No.3	Disc Brake Spare Parts	10
Table No.4	Brake camshafts 4020	12
Table No.5	Brake camshafts 3020	12
Table No.6-9	Brake Chambers	18-21
Table No.10	Disc and Drum Wheel Hub Assy Type S	37
Table No.11	Disc and Drum Wheel Hub Assy Type B	51
Table No.12	Straight Double Leaf Trailing Arm	59
Table No.13,14	Intra Suspension Shock Absorber	74,75
Table No.15,16	Trailing Arms Suspension Shock Absorber	76,77
Table No.17,18	Hanger Bracket Type S	78
Table No.21	Leaf Spring Lift Axle Kit (Left Side)	90
Table No.22	Leaf Spring Lift Axle Kit (Right Side)	91
Table No.23	Suspension System Spare Parts	93
Table No.24	Axle Lift (For Intra Axle)	94
Table No.25	Suspension System Spare Parts	95
Table No.26	Intra Drum Brake Axle Beam	98
Table No.27	Drum Brake Axle Beam With Leaf Spring	99
Table No.28	Disk Brake Beam With Leaf Spring	100
Table No.29	Intra Disc Brake Beam	101
Table No.30	Landing Gear Outer Assembly – Right Side	117
Table No.31	Landing Gear Outer Assembly – Left Side	118
Table No.32	Landing Gear Assembly and Accessories	119
Table No.33	Landing Gear Inner Assembly	120
Table No.34	King pin and Accessories	122



**RSTPURCHASING Spare Parts
for Axles and Semi Trailers**

rstpurchasing.com